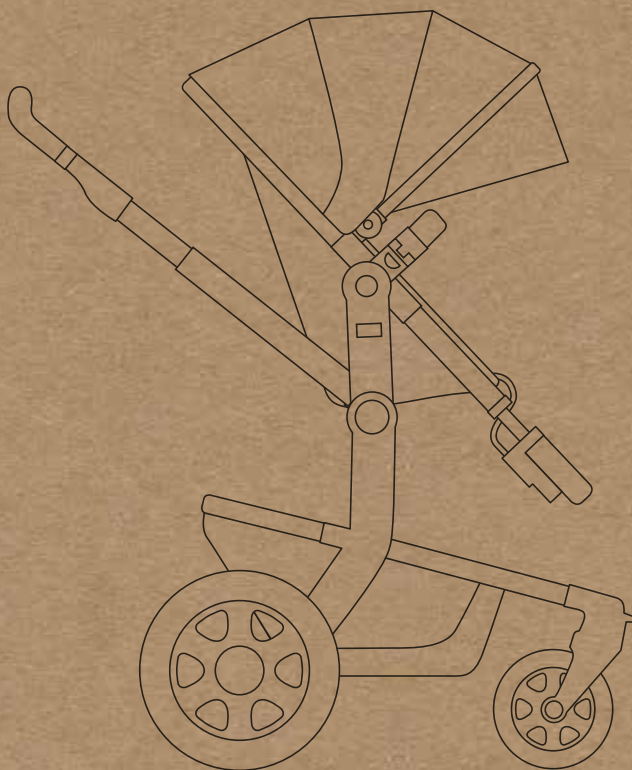


instruction manual

Joolz Day³

designed in The Netherlands



JOOLZ POSITIVE DESIGN
stroll around the world of joolz.com

en	instruction manual	ee	kasutusjuhend
de	Gebrauchsanweisung	lv	lietošanas instrukcija
nl	gebruiksaanwijzing	lt	instrukcijų vadovas
fr	manuel d'instructions	sl	navodila za uporabo
es	manual de instrucciones	hr	priručnik za upotrebu
pt	manual de instruções	cs	návod k použití
it	manuale di istruzioni	bg	инструкция
sv	bruksanvisning	ro	manual de instrucțiuni
no	bruksanvisning	sr	priručnik za upotrebu
fi	käyttöopas	hu	használati útmutató
da	instruktioner	sk	návod na použitie
ru	инструкция по эксплуатации	gr	οδηγίες χρήσης
pl	instrukcja obsługi	ar	دليل تعليمات الاستخدام
uk	інструкція з експлуатації	za	handleiding

At Joolz, we believe that good parenting is all about being happy. That's why we offer you the building blocks to spark your life with positivity. So, whatever defines your happiness, go after it and live it. Our ergonomic pushchairs, car seats and (organic) accessories are designed to make sure you enjoy the ride.

LET'S GROW TOGETHER 

Brand of:
Milk Design BV

Joolz HQ
Distelweg 89
1031 HD Amsterdam
The Netherlands
info@my-joolz.com
+31 206 304 887

Joolz USA Inc.
PO Box 4530
New York
NY 10163-4530
info.us@joolz.com
+1 (347) 252-4556

joolz.com
facebook.com/myJoolz



JOOLZ POSITIVE
DESIGN

index

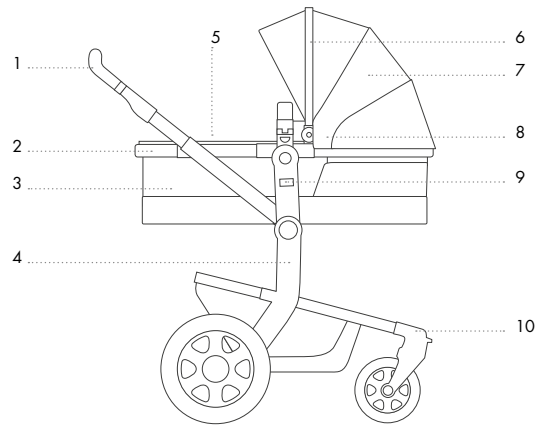
introducing the Joolz Day³ Einführung des Joolz Day ³	8	compact storage Kompakte Aufbewahrung	
what's in the box? Was ist im Karton?	10	how to fold with the cot & the large basket Zusammenklappen mit Wanne und großem Korb	29
assembly Zusammenbau		how to fold with the seat & the large basket Zusammenklappen mit Sitz und großem Korb	31
assembling the chassis Zusammenbau Gestell	14	warnings Warnhinweise	34
assembling the large basket Zusammenbau Großer Korb	15	maintenance Pflege	36
assembling the cot Zusammenbau Wanne	16	warranty Garantie	36
assembling the seat Zusammenbau Sitz	20		
how to use Nutzungshinweise			
how to use the cot Wie nutze ich die Wanne	23		
how to use the seat Wie nutze ich den Sitz	24		
how to use the seat harness Wie nutze ich den Sicherheitsgurt	26		
how to use the brake Nutzungshinweise Bremse	27		




how to movies:
www.youtube.com/JoolzHQ

introducing the Joolz Day³

Einführung des Joolz Day³



 45- 75 cm / 17.7-29.5 in

1. handlebar Schiebegriff
2. cot/seat frame
Wannen-/Sitzrahmen
3. cot fabric Wannenbekleidung
4. chassis Gestell
5. cot cover Wannenabdeckung
6. sun hood frame
Sonnenverdeckrahmen
7. sun hood fabric Sonnenverdeck
8. hood hinge Verdeckscharnier
9. unlock buttons
Entriegelungsknöpfe
10. clip for locking front wheels
Taste um Vorderräder zu sperren

sizes Maße

unfolded Auseinandergeklappt

folded without seat and wheels Zusammengeklappt ohne Sitz und Räder

folded with seat and wheels Zusammengeklappt mit Sitz und Rädern

cot outside Wanne außen

cot mattress size Matratzengröße Wanne

front wheel Schwenkräder

rear wheel Hinterräder

84x59x100-111 cm / 33x23x39-44 in

69x55x23 cm / 27x22x9 in

95x58x42 cm / 37x23x17 in

86x39x23 cm / 33x15x9 in

76x34x3 cm / 30x13x1 in

7 inch

12 inch

weights Gewichtsangaben

Joolz Day³ with seat Joolz Day³ mit Sitz

chassis incl. basket Gestell inkl. Korb

chassis without wheels Gestell ohne Räder

seat Sitz

cot Wanne

13,2 kg/ 29.1 lbs

9,3 kg/ 20.5 lbs

6,2 kg/ 13.7 lbs

3,9 kg/ 8.8 lbs

4,9 kg/ 10.8 lbs

weight capacity Kapazität

Joolz Day³ with seat Joolz Day³ mit Sitz

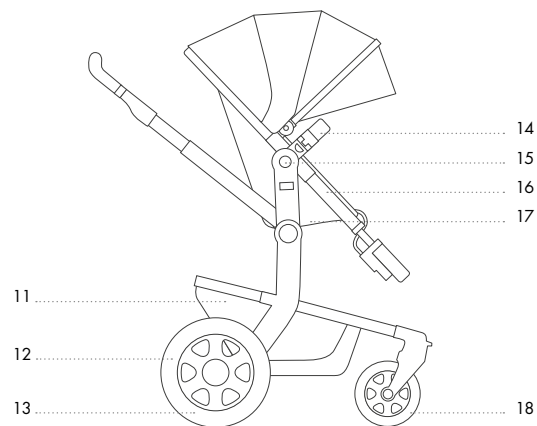
Joolz Day³ with cot Joolz Day³ mit Wanne


large basket Großer Korb

20,0 kg/ 44 lbs max

14,0 kg/ 31 lbs max

5,0 kg/ 11 lbs max

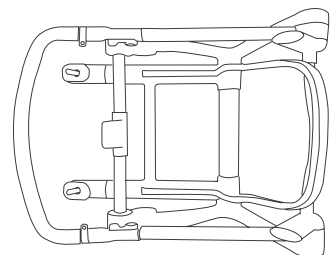


 67-100 cm / 26.4-39.4 in

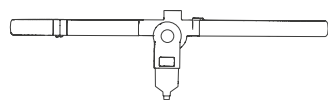
11. large basket fabric
Einkaufskorbbezug
12. brake Bremse
13. rear wheels Hinterräder
14. bumper bar Sicherheitsbügel
15. round recline buttons
Runde Verstellknöpfe
16. restraint system Rückhaltesystem
17. detachable seat fabric
Abnehmbare Sitzbekleidung
18. front wheels Schwenkräder

what's in the box?

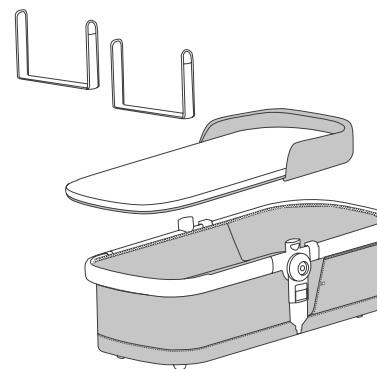
Was ist im Karton?



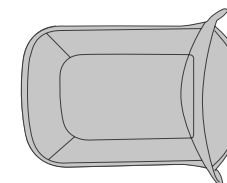
1x chassis
Gestell



1x cot/seat frame
NOTE cot frame = seat frame
Wannen-/Sitzrahmen



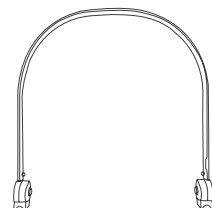
1x cot fabric + 1x mattress
+ 2x cot tensioner
Wannenbekleidung + Matratze +
Wannenspanner



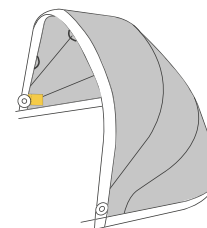
1x cot cover
Wannenabdeckung



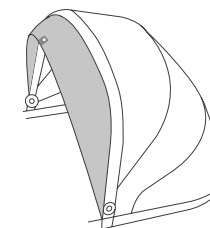
1x bumper bar
Sicherheitsbügel



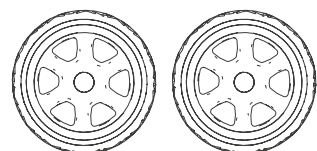
1x sun hood frame
Sonnoverdeckahmen



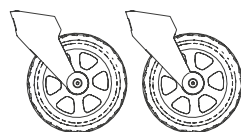
1x sun hood fabric
Sonnoverdeck



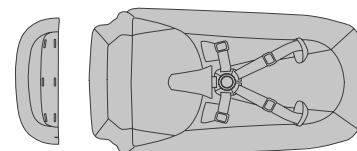
1x extended sun hood
Erweitertes Verdeck



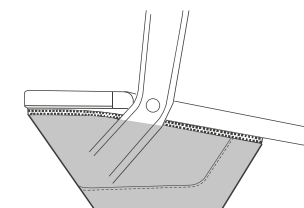
2x rear wheel
Hinterräder



2x front wheel
Schwenkräder



1x seat fabric + 1x footrest
Sitzbezug + Fußstütze

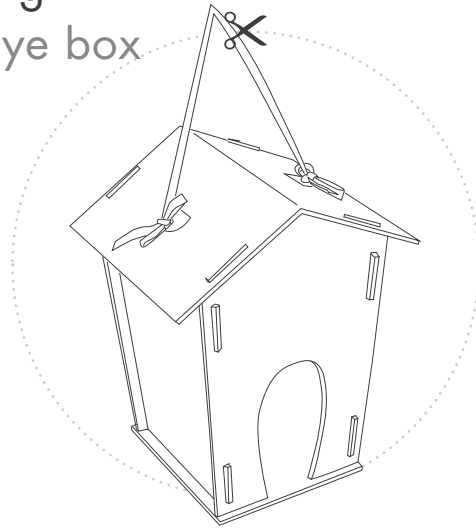
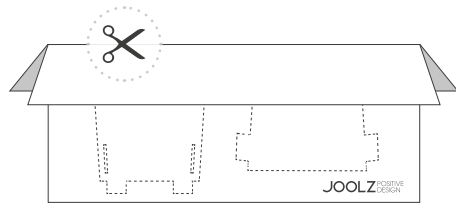


1x large basket
Großer Korb

Joolz reusable packaging

hello bird house, goodbye box

see all the possibilities on joolz.com



Joolz lifetime warranty

stroll always & forever

apply your warranty on register.joolz.com

Joolz Birth Forest

one pushchair, one tree

experience our meaningful journey on joolz.com



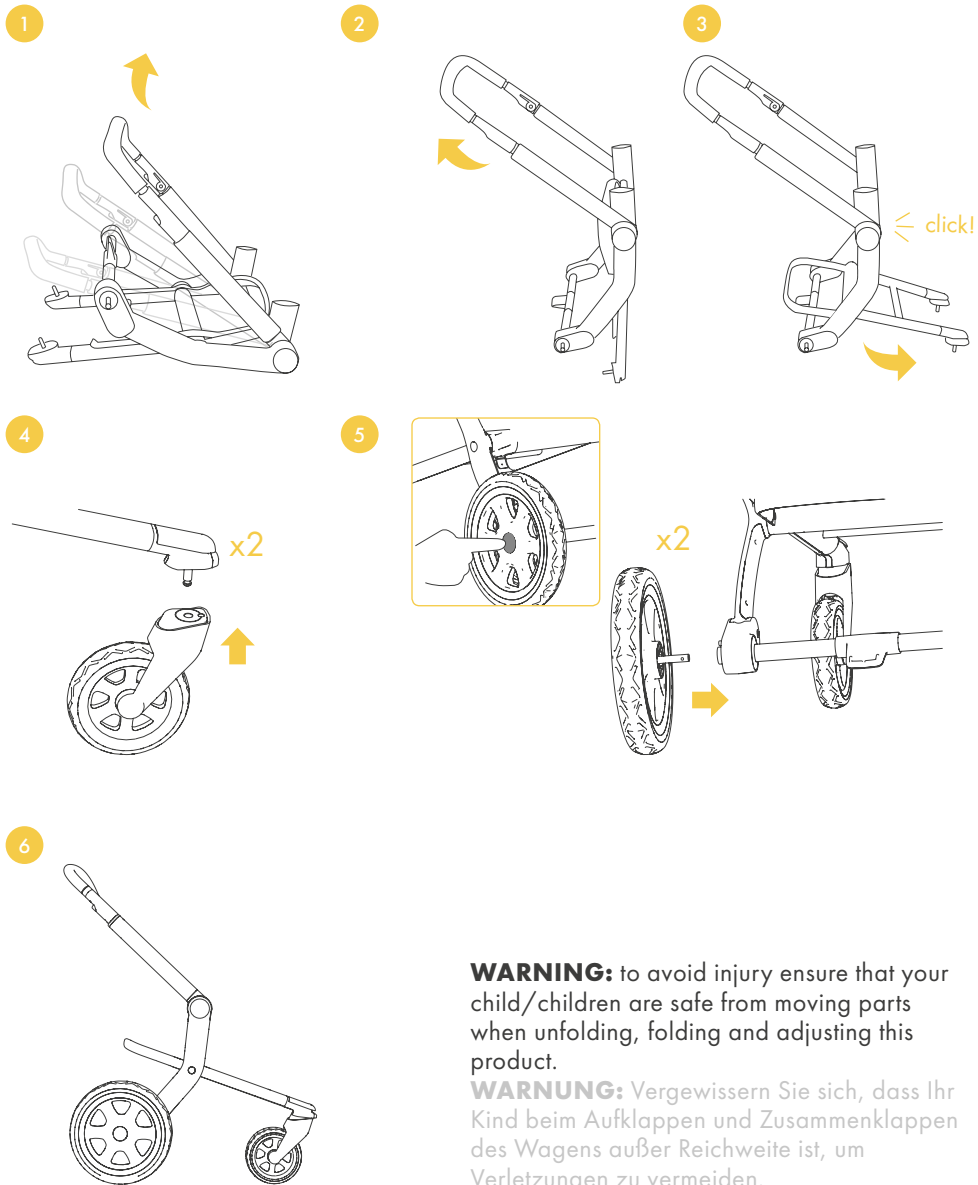


assembling the chassis

Zusammenbau Gestell



2 min



WARNING: to avoid injury ensure that your child/children are safe from moving parts when unfolding, folding and adjusting this product.

WARNUNG: Vergewissern Sie sich, dass Ihr Kind beim Aufklappen und Zusammenklappen des Wagens außer Reichweite ist, um Verletzungen zu vermeiden.

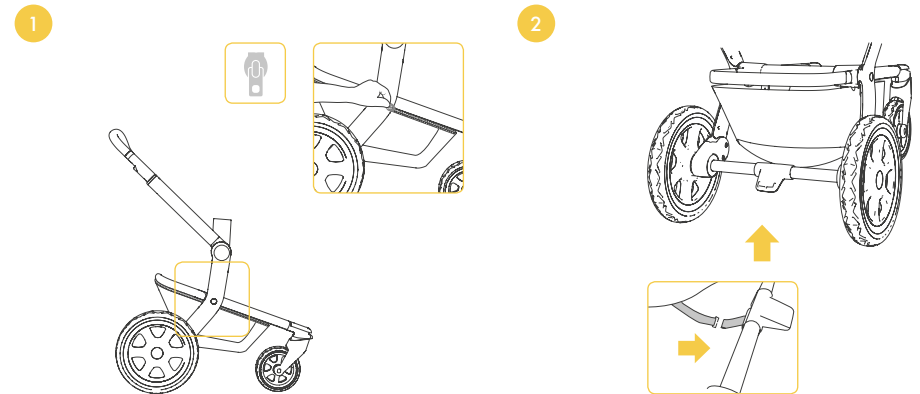


assembling the large basket

Zusammenbau Großer Korb



2 min



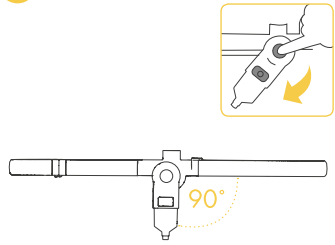


assembling the cot

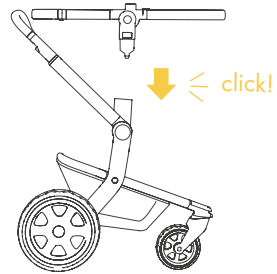
Zusammenbau Wanne

10 min

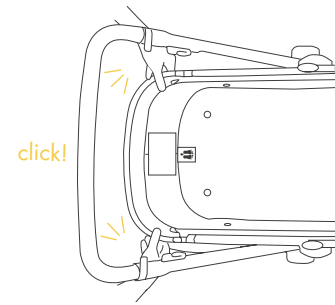
1



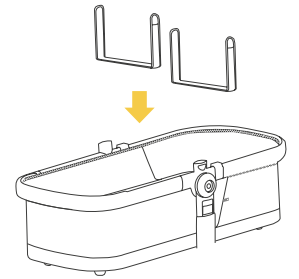
2



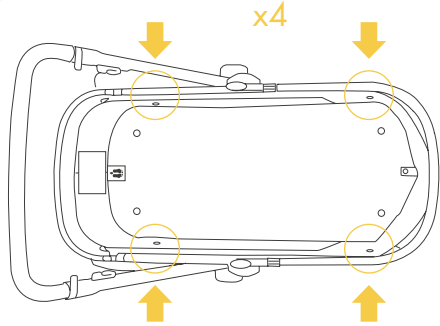
7



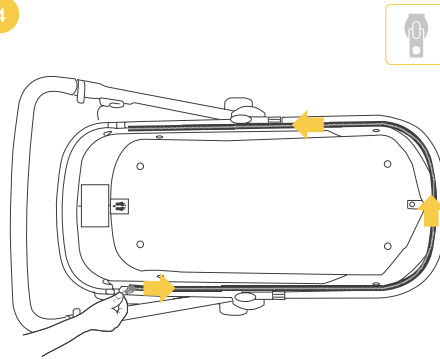
8



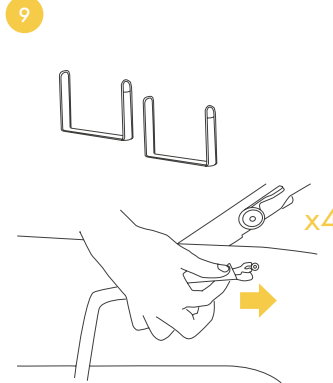
3



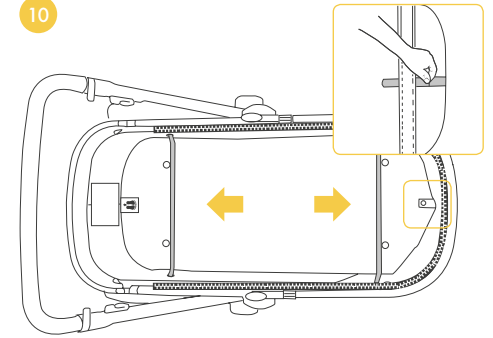
4



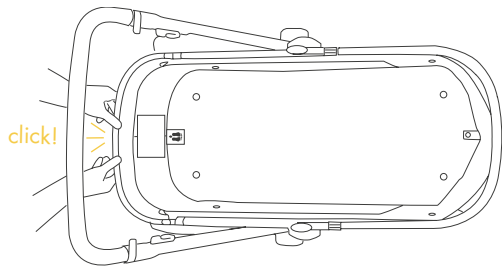
9



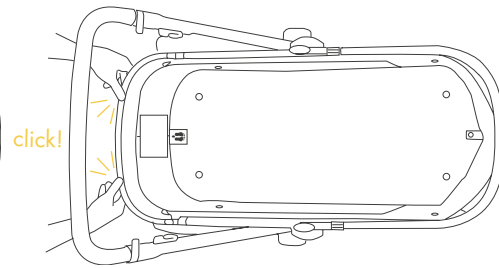
10



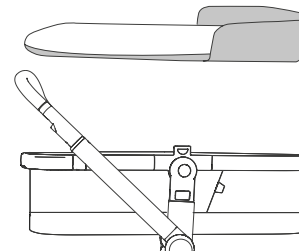
5



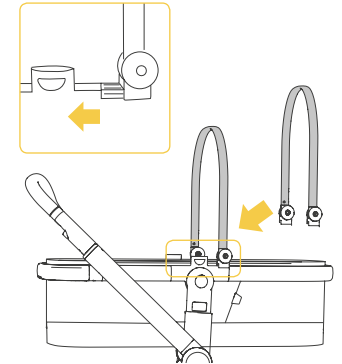
6

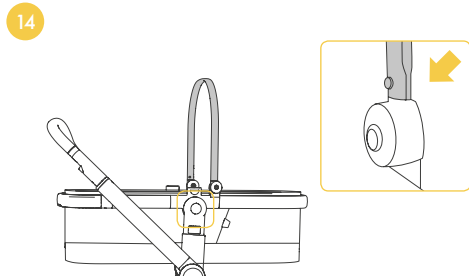
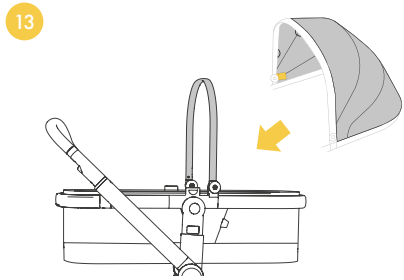


11

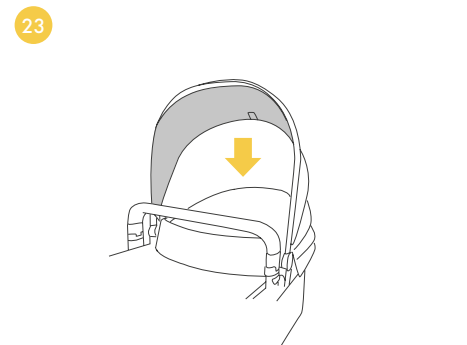
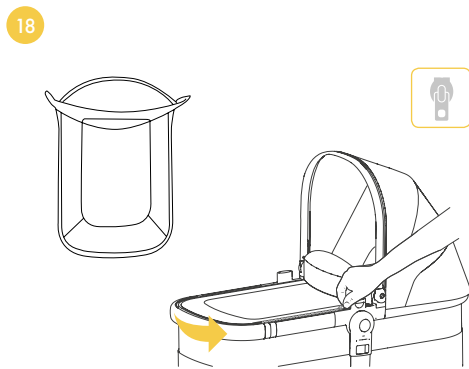
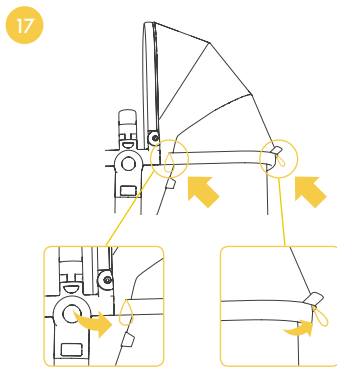
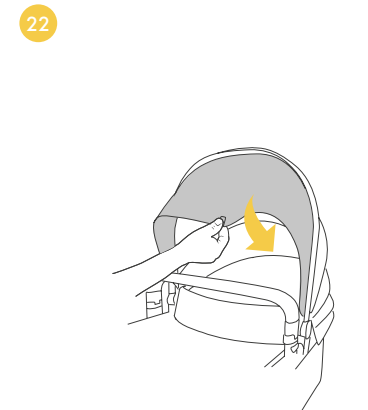
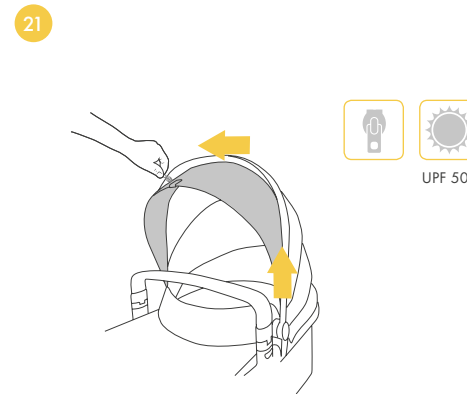
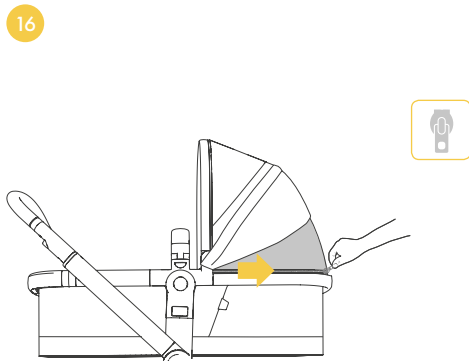
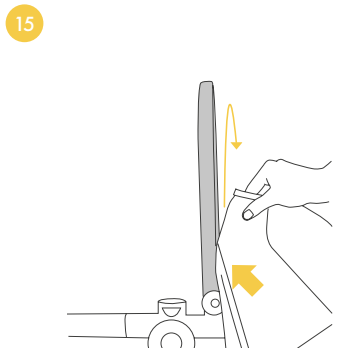
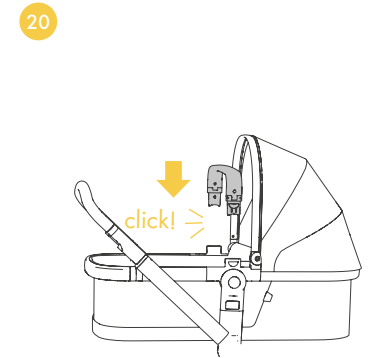
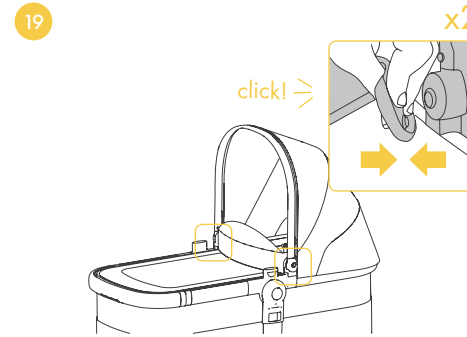


12





NOTE: There is a wider slot position to start the rigging.
HINWEIS: Es gibt eine breitere Stelle, um mit dem Einziehen zu beginnen.



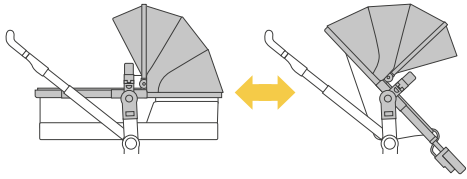


assembling the seat

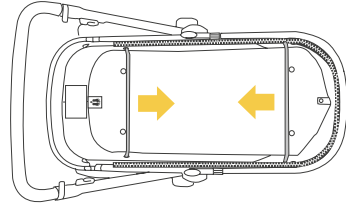
Zusammenbau Sitz

10 min

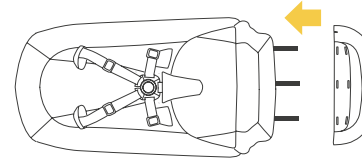
1



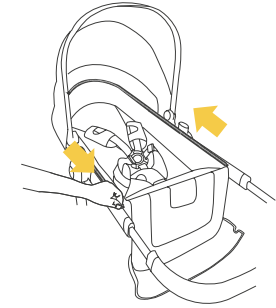
2



7



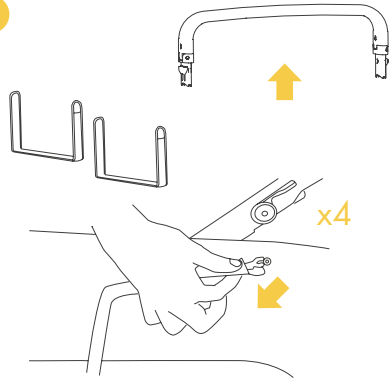
8



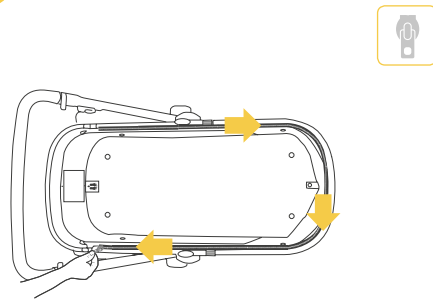
NOTE: Use the frame and sun hood for the seat.

HINWEIS: Nutzen Sie den Rahmen und das Sonnenverdeck für den Sitz.

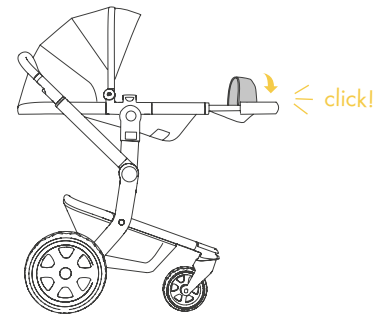
3



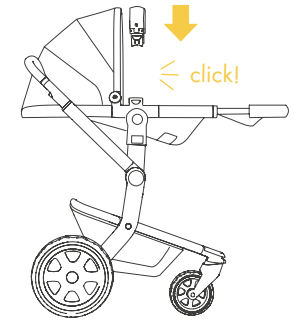
4



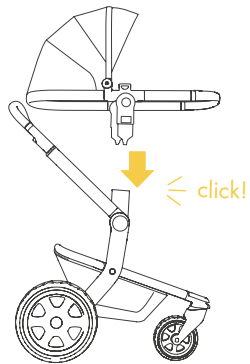
9



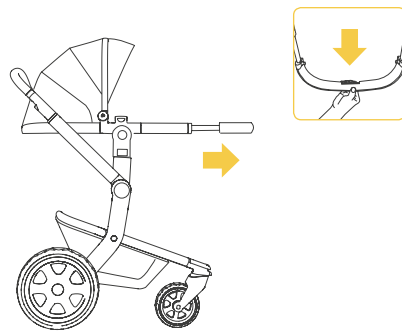
10



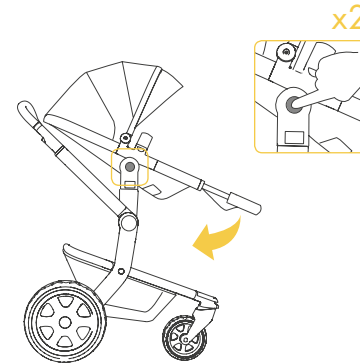
5



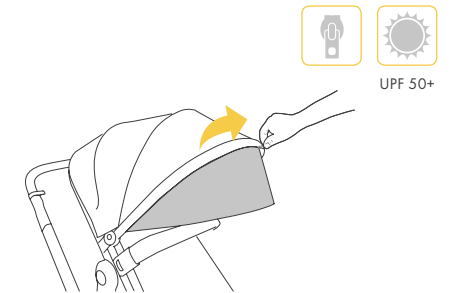
6



11



12





how to use

Nutzungshinweise

how to use the cot

Wie nutze ich die Wanne

how to use the seat

Wie nutze ich den Sitz

how to use the seat harness

Wie nutze ich den Sicherheitsgurt

how to use the brake

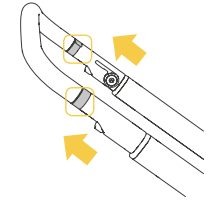
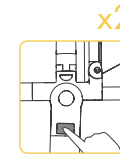
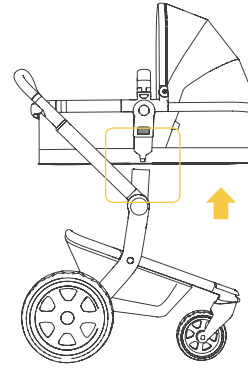
Nutzungshinweise Bremse



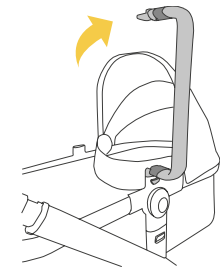
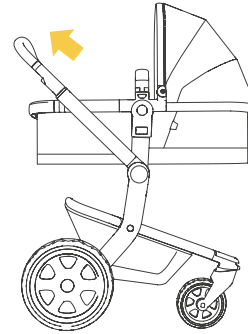
how to use the cot

Wie nutze ich die Wanne

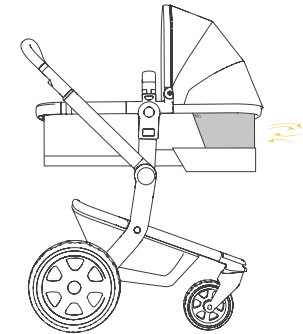
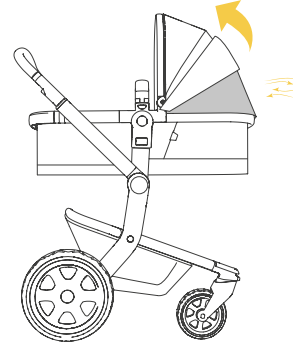
23



24



26

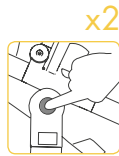
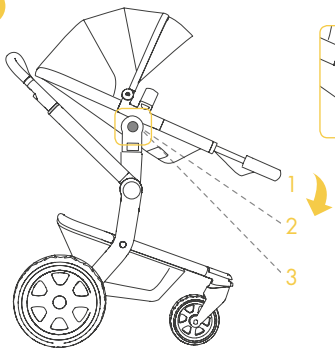
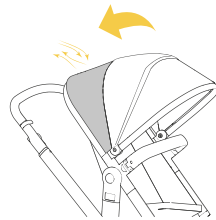
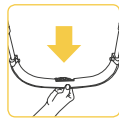
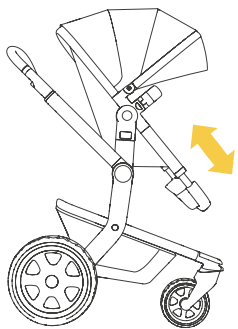
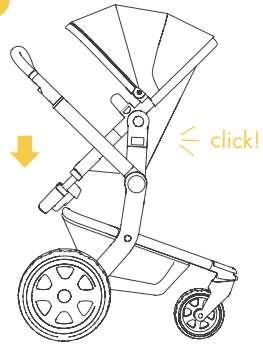
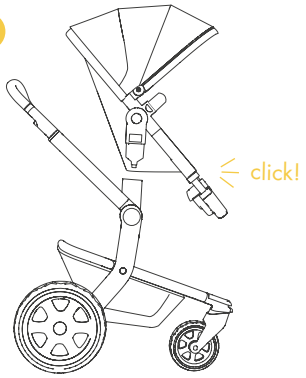


27



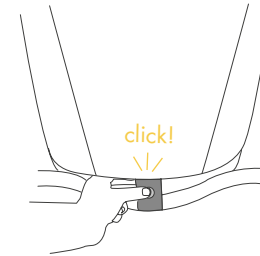
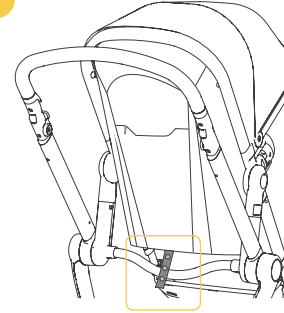
how to use the seat

Wie nutze ich den Sitz



only for Australia

Nur für Australien

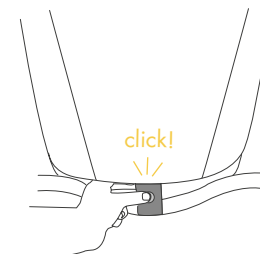
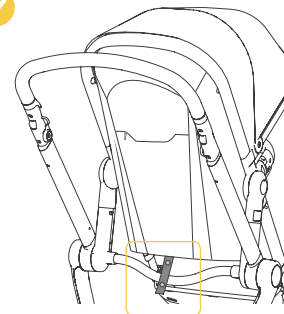


NOTE: The strap can be fixed to the back of the seat in three different seat positions. Use the tightest strap position possible.



only for The United States

Nur für Die Vereinigten Staaten

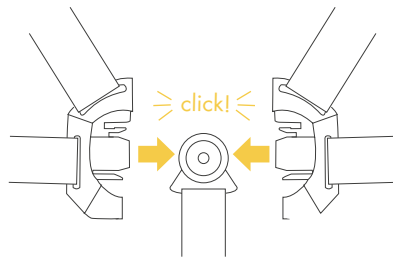
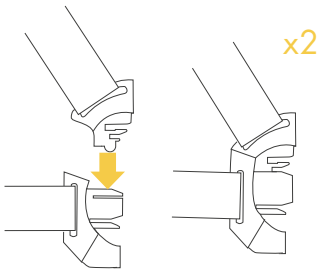
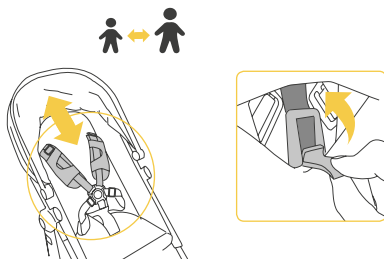
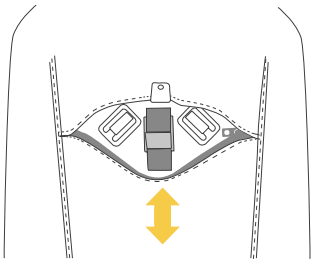
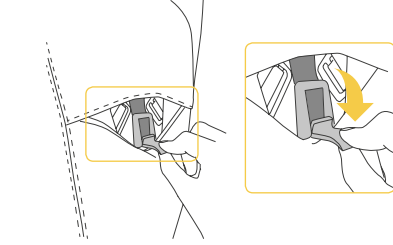
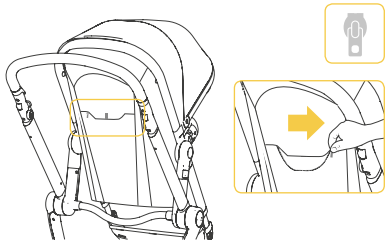


NOTE: Fix the strap to the chassis when the backrest is in the most upright use position.



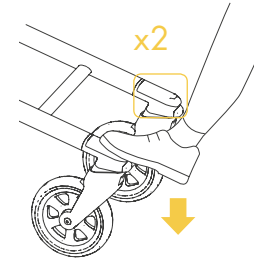
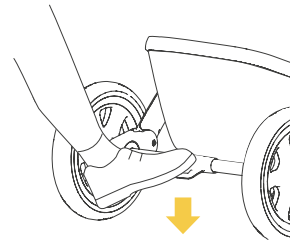
how to use the seat harness

Wie nutze ich den Sicherheitsgurt



how to use the brake

Nutzungshinweise Bremse



WARNING: always apply the swivel lock on the front wheels when folding the pushchair. Failing to do so can result in obstruction of the tyres, leading to deformation, especially in a hot environment.

WARNUNG: Stellen Sie die Schwenkräder immer fest, wenn Sie den Kinderwagen zusammenklappen. Wenn Sie dies versäumen, kann dies, vor allem in heißer Umgebung, zur Beschädigung und Verformung der Vorderräder führen.



compact storage

Kompakte Aufbewahrung

how to fold with the cot & the large basket
Zusammenklappen mit Wanne und großem Korb

how to fold with the seat & the large basket
Zusammenklappen mit Sitz und großem Korb

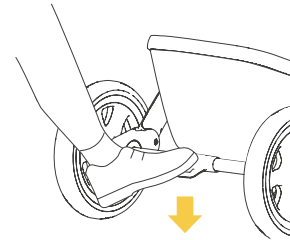


how to fold with the cot & the large basket

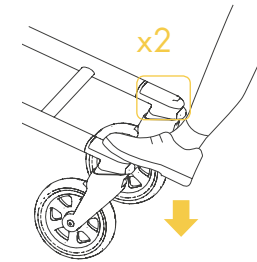
Zusammenklappen mit Wanne und großem Korb

29

1



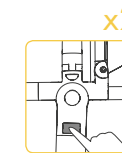
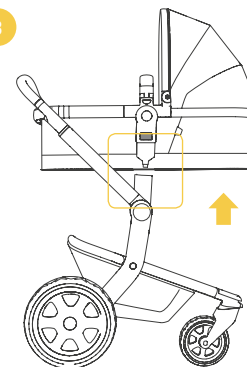
2



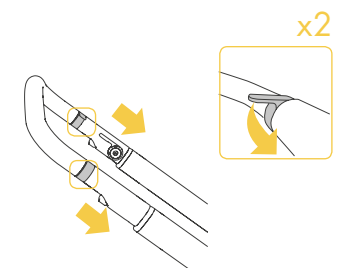
WARNING: always apply the swivel lock on the front wheels when folding the pushchair. Failing to do so can result in obstruction of the tyres, leading to deformation, especially in a hot environment.

WARNUNG: Stellen Sie die Schwenkräder immer fest, wenn Sie den Kinderwagen zusammenklappen. Wenn Sie dies versäumen, kann dies, vor allem in heißer Umgebung, zur Beschädigung und Verformung der Vorderräder führen.

3



4

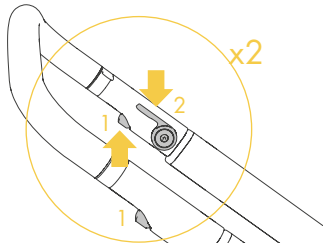




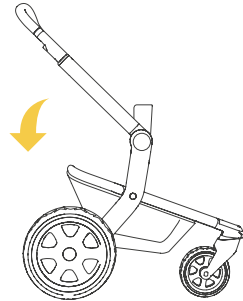
how to fold with the seat & the large basket

Zusammenklappen mit Sitz und großem Korb

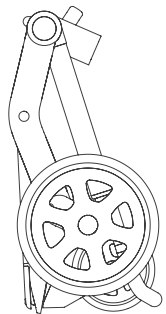
5



6



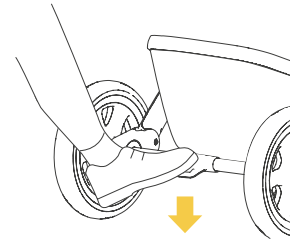
7



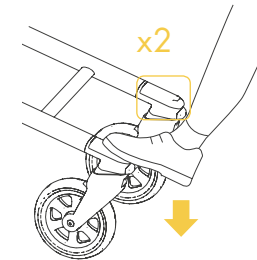
WARNING: to avoid injury ensure that your child/children are safe from moving parts when unfolding, folding and adjusting this product.

WARNUNG: Vergewissern Sie sich, dass Ihr Kind beim Aufklappen und Zusammenklappen des Wagens außer Reichweite ist, um Verletzungen zu vermeiden.

1



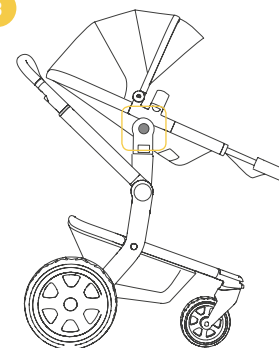
2



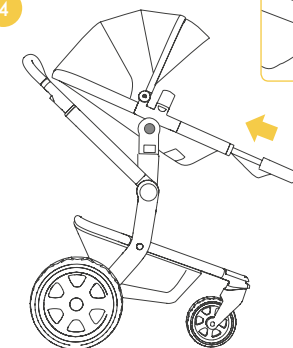
WARNING: always apply the swivel lock on the front wheels when folding the pushchair. Failing to do so can result in obstruction of the tyres, leading to deformation, especially in a hot environment.

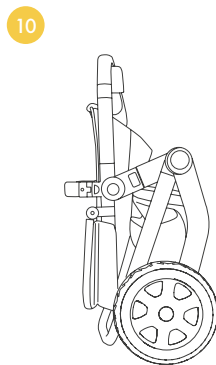
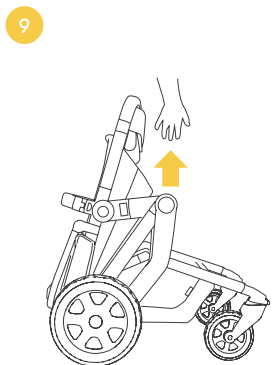
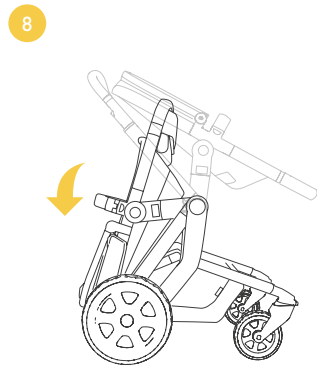
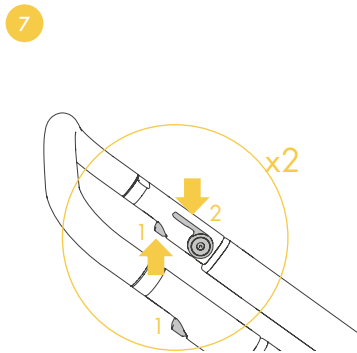
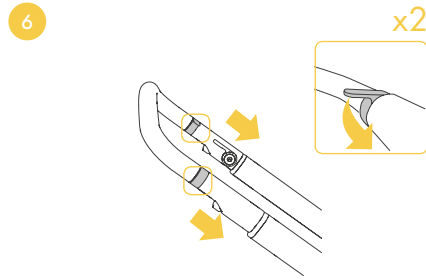
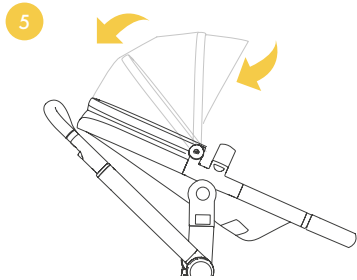
WARNUNG: Stellen Sie die Schwenkräder immer fest, wenn Sie den Kinderwagen zusammenklappen. Wenn Sie dies versäumen, kann dies, vor allem in heißer Umgebung, zur Beschädigung und Verformung der Vorderräder führen.

3

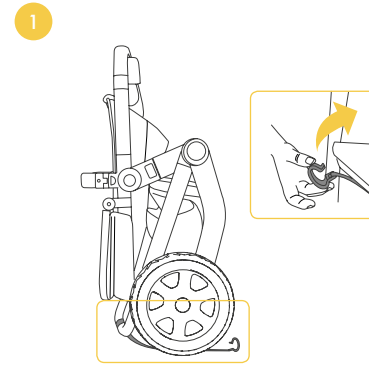


4





WARNING: to avoid injury ensure that your child/children are safe from moving parts when unfolding, folding and adjusting this product.
WARNUNG: Vergewissern Sie sich, dass Ihr Kind beim Aufklappen und Zusammenklappen des Wagens außer Reichweite ist, um Verletzungen zu vermeiden.



WARNING: Ensure that the storage latch is engaged when lifting or carrying the pushchair. To avoid injury ensure that your child/children are safe from moving parts when unfolding, folding and adjusting this product.
WARNUNG: Stellen Sie sicher, dass die Transportverriegelung beim Anheben oder Tragen des Kinderwagens eingerastet ist. Vergewissern Sie sich, dass Ihr Kind beim Aufklappen und Zusammenklappen des Wagens außer Reichweite ist, um Verletzungen zu vermeiden.

IMPORTANT: PLEASE READ THESE INSTRUCTIONS CAREFULLY BEFORE USAGE AND KEEP THEM FOR FUTURE REFERENCE.

WARNING

- + Never leave your child unattended.
- + Ensure that all the locking devices are engaged before use.
- + To avoid injury ensure that your child is kept away when adjusting, unfolding and folding this product.
- + Do not let your child play with this product.
- + This seat unit is not suitable for children under 6 months.
- + Avoid serious injury from falling or sliding out.
- + Always use the restraint system.
- + Check that the cot, seat or car seat unit attachment devices are correctly engaged before use.
- + This product is not suitable for running or skating.
- + The Joolz Day³ cot and seat units are only compatible with the Joolz Day³ chassis and vice versa.
- + Do not use an additional mattress.
- + Any load attached to the sides and/or handlebar of the Joolz Day³ pushchair may affect its stability.
- + The Joolz Day³ cot or seat units can each carry only one passenger.
- + Only use body seats, car seats, replacement parts and accessories that are approved by Joolz.
- + Do not use the pushchair if any of the parts are damaged, torn or missing.
- + Always apply the swivel lock on the front wheels when folding the pushchair. Failing to do so can result in obstruction of the tires, leading to deformation, especially in a hot environment.
- + The brakes should always be engaged when placing and removing the children.
- + Accessories not provided by Joolz should not be used.
- + Only spare parts supplied or recommended by Joolz should be used.
- + This seat is intended for children from 6 months, up to maximum weight of 22 kg/48.5 lbs.
- + Adding parcels, accessory items and/or excessive weight may cause hazardous unstable conditions.

WARNINGS

FOR THE CARRY COT

- + The Joolz Day³ cot is suitable for a child who cannot sit up by itself, roll over and cannot push itself up on its hands and knees. Maximum weight of the child: 9 kg/20 lbs.
- + This product is only suitable for a child who cannot sit up unaided.
- + Only use on a firm, horizontal level and dry surface.
- + Do not let other children play unattended near the carrycot.
- + Do not use if any part of the carrycot is broken, torn or missing.
- + Keep the Joolz Day³ away from open fires and other sources of heat, such as electric bar heaters, gas fires, etc.
- + The handles and the bottom of the should be inspected regularly for signs of damage and wear.
- + Always ensure that the bumper bar is correctly engaged to the cot/seat units before use.
- + The head of the child in the carrycot should never be lower than the body of the child.
- + Don't put an additional mattress on the mattress provided by Joolz.

Suffocation Hazard: Infant carrier can roll over on soft surfaces and suffocate child. **NEVER** place carrier on beds, sofas, or other soft surfaces.

Fall Hazard: Child's movement can slide carrier. **NEVER** place carrier near edges of counter tops, tables, or other elevated surfaces. **NEVER** use this carrier as a means to transport an infant in a motor vehicle.

MAINTENANCE / WASHING INSTRUCTIONS

Clean the fabric with lukewarm water and soap. Rinse with fresh water and leave to dry. Never use bleach or other chemical detergents. Periodically (approximately once a month) treat the wheels and metal parts with Teflon or silicon spray to ensure the pushchair continues to run smoothly.



The aluminium parts of your Day³ pushchair are anodized to protect it from external influences such as corrosion. Anodized aluminium parts are vulnerable to acidic cleaners or grease, which can cause stains and discoloration of the aluminium parts. We therefore advise you to clean the aluminium parts of your pushchair with warm water and a soft cloth.

WARRANTY

Joolz offers lifetime warranty on the Joolz Day³. The warranty covers all material and manufacturing faults, but not the exchange or return of the product. To be eligible for the lifetime warranty, all you have to do is register your Joolz pushchair on register.joolz.com within six months of purchase and keep your original proof of purchase including a purchase date. If you do not register your Joolz pushchair within six months after purchase, you will receive a two-year warranty.

The warranty is only valid if you supply the following items to your retailer along with the defective product:

- 1) Your warranty certificate,
- 2) Any form of personal identification,
- 3) A copy of the receipt of purchase (including a purchase date),
- 4) A detailed description of the defect.

You will receive the warranty certificate after you have registered your Joolz pushchair on our website register.joolz.com.

If your retailer cannot assist you with your complaint, contact Joolz. Please note, any repairs do not extend the warranty period.

THE WARRANTY DOES NOT COVER:

- 1) Defects caused by ordinary wear and tear, such as worn wheels and fabrics by everyday use, scratches on the aluminium and/or metal and natural discoloration of materials over time or by not following the maintenance instructions.
- 2) Damage to wheels such as holes and tears.
- 3) Damage caused by accidents, improper use, negligence, fire, contact with liquids or another external cause.
- 4) Damage resulting from non-compliance with the instruction manual, instruction movies or other Joolz guidelines.
- 5) Damage caused by another product, including accessories.
- 6) Damage by service or repair by an unofficial representative of Joolz.
- 7) Theft.
- 8) Air transportation or freight damage.

Safety was an important consideration throughout the development of the Joolz Day³ pushchair and cot. Our products therefore meet the following safety standards:

Europe: EN 1888:2012 / EN 1466:2014/AC: 2015
 United States: ASTM F833-15 / ASTM F2050-16
 Canada: SOR/2016-167
 Australia: AS/NZS 2088:2013

Please visit joolz.com, facebook.com/myjoolz or contact your retailer for any questions and/or comments.

ENGLISH

IMPORTANT: PLEASE READ THESE INSTRUCTIONS CAREFULLY BEFORE USAGE AND KEEP THEM FOR FUTURE REFERENCE.

⚠ WARNING

- + Never leave your child unattended.
- + Ensure that all the locking devices are engaged before use.
- + To avoid injury ensure that your child is kept away when adjusting, unfolding and folding this product.
- + Do not let your child play with this product.
- + This seat unit is not suitable for children under 6 months.
- + Avoid serious injury from falling or sliding out.
- + Always use the restraint system.
- + Check that the bassinet, seat or car seat unit attachment devices are correctly engaged before use.
- + This product is not suitable for running or skating.
- + The Joolz Day³ bassinet and seat units are only compatible with the Joolz Day³ chassis and vice versa.
- + Do not use an additional mattress.
- + Any load attached to the sides and/or handlebar of the Joolz Day³ stroller may affect its stability.
- + The Joolz Day³ bassinet or seat units can each carry only one passenger.
- + Only use body seats, car seats, replacement parts and accessories that are approved by Joolz.
- + Do not use the stroller if any of the parts are damaged, torn or missing.
- + Always apply the swivel lock on the front wheels when folding the stroller. Failing to do so can result in obstruction of the tires, leading to deformation, especially in a hot environment.
- + The brakes should always be engaged when placing and removing the children.
- + Accessories not provided by Joolz should not be used.
- + Only spare parts supplied or recommended by Joolz should be used.
- + This seat is intended for children from 6 months, up to maximum weight of 22 kg/48.5 lbs.
- + Adding parcels, accessory items and/or excessive weight may cause hazardous unstable conditions.

⚠️ WARNINGS

FOR THE BASSINET

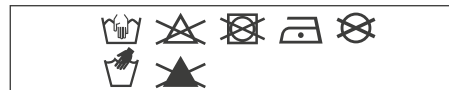
- + The Joolz Day³ bassinet is suitable for a child who cannot sit up by itself, roll over and cannot push itself up on its hands and knees. Maximum weight of the child: 9 kg/20 lbs.
- + This product is only suitable for a child who cannot sit up unaided.
- + Only use on a firm, horizontal level and dry surface.
- + Do not let other children play unattended near the carrybassinet.
- + Do not use if any part of the carrybassinet is broken, torn or missing.
- + Keep the Joolz Day³ away from open fires and other sources of heat, such as electric bar heaters, gas fires, etc.
- + The handles and the bottom of the should be inspected regularly for signs of damage and wear.
- + Always ensure that the bumper bar is correctly engaged to the bassinet/seat units before use.
- + The head of the child in the carrybassinet should never be lower than the body of the child.
- + Don't put an additional mattress on the mattress provided by Joolz.

Suffocation Hazard: Infant carrier can roll over on soft surfaces and suffocate child. **NEVER** place carrier on beds, sofas, or other soft surfaces.

Fall Hazard: Child's movement can slide carrier. **NEVER** place carrier near edges of counter tops, tables, or other elevated surfaces. **NEVER** use this carrier as a means to transport an infant in a motor vehicle.

MAINTENANCE / WASHING INSTRUCTIONS

Clean the fabric with lukewarm water and soap. Rinse with fresh water and leave to dry. Never use bleach or other chemical detergents. Periodically (approximately once a month) treat the wheels and metal parts with Teflon or silicon spray to ensure the stroller continues to run smoothly.



The aluminium parts of your Day³ stroller are anodized to protect it from external influences such as corrosion. Anodized aluminium parts are vulnerable to acidic cleaners or grease, which can cause stains and discoloration of the aluminium parts. We therefore advise you to clean the aluminium parts of your stroller with warm water and a soft cloth.

WARRANTY

Joolz offers lifetime warranty on the Joolz Day³. The warranty covers all material and manufacturing faults, but not the exchange or return of the product. To be eligible for the lifetime warranty, all you have to do is register your Joolz stroller on register.joolz.com within six months of purchase and keep your original proof of purchase including a purchase date. If you do not register your Joolz stroller within six months after purchase, you will receive a two-year warranty.

The warranty is only valid if you supply the following items to your retailer along with the defective product:

- 1) Your warranty certificate,
- 2) Any form of personal identification,
- 3) A copy of the receipt of purchase (including a purchase date),
- 4) A detailed description of the defect.

You will receive the warranty certificate after you have registered your Joolz stroller on our website register.joolz.com.

If your retailer cannot assist you with your complaint, contact Joolz. Please note, any repairs do not extend the warranty period.

THE WARRANTY DOES NOT COVER:

- 1) Defects caused by ordinary wear and tear, such as worn wheels and fabrics by everyday use, scratches on the aluminium and/or metal and natural discoloration of materials over time or by not following the maintenance instructions.
- 2) Damage to wheels such as holes and tears.
- 3) Damage caused by accidents, improper use, negligence, fire, contact with liquids or another external cause.
- 4) Damage resulting from non-compliance with the instruction manual, instruction movies or other Joolz guidelines.
- 5) Damage caused by another product, including accessories.
- 6) Damage by service or repair by an unofficial representative of Joolz.
- 7) Theft.
- 8) Air transportation or freight damage.

Safety was an important consideration throughout the development of the Joolz Day³ stroller and cot. Our products therefore meet the following safety standards:

Europe: EN 1888:2012 / EN 1466:2014/AC: 2015
 United States: ASTM F833-15 / ASTM F2050-16
 Canada: SOR/2016-167
 Australia: AS/NZS 2088:2013

Please visit joolz.com, facebook.com/myjoolz or contact your retailer for any questions and/or comments.

IMPORTANT: PLEASE READ THESE INSTRUCTIONS CAREFULLY BEFORE USAGE AND KEEP THEM FOR FUTURE REFERENCE.

FOLLOW THE MANUFACTURER'S INSTRUCTION.

⚠ WARNING

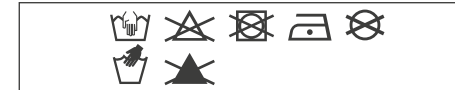
- + Do not leave children unattended. Secure harness at all times.
- + Seat usage is not recommended for a child under 6 months.
- + Do not use this seat with any other models of pram/stroller.
- + Care should be taken if the pram/stroller is used on stairs or escalators.
- + The pram/stroller should not be used near an open fire or exposed flame.
- + The brakes must always be applied when the pram/stroller is not moving.
- + The vehicle is designed for use on flat or gently sloping surfaces and may be unstable on higher sloping and uneven surfaces.
- + Be aware of finger entrapment when folding or unfolding the pram/stroller. Due care should be exercised.
- + Always use the storage latch in engaged position.
- + To avoid injury or death: always apply the brakes whenever the pram/stroller is stationary.
- + Make sure children are clear of any moving parts if you adjust the pram/stroller.
- + Use this strap to stop the pram/stroller from rolling away.
- + Do not use this bassinet once the child can sit up unaided.
- + Never leave a harness buckled when not fitted to a child in the pram/stroller because the harness can form loops which may pose a strangulation hazard.
- + Take care if the pram/stroller is used on stairs or escalators.
- + The maximum weight of the shopping basket is 5 kg.
- + Make sure storage latch is engaged when lifting or carrying the stroller.
- + Accessories not provided by Joolz should not be used.
- + Only spare parts supplied or recommended by Joolz should be used.
- + Adding parcels, accessory items and/or excessive weight may cause hazardous unstable conditions.

Suffocation Hazard: Infant carrier can roll over on soft surfaces and suffocate child. **NEVER** place carrier on beds, sofas, or other soft surfaces.

Fall Hazard: Child's movement can slide carrier. **NEVER** place carrier near edges of counter tops, tables, or other elevated surfaces. **NEVER** use this carrier as a means to transport an infant in a motor vehicle.

MAINTENANCE / WASHING INSTRUCTIONS

Clean the fabric with lukewarm water and soap. Rinse with fresh water and leave to dry. Never use bleach or other chemical detergents. Periodically (approximately once a month) treat the wheels and metal parts with Teflon or silicon spray to ensure the pushchair continues to run smoothly.



The aluminium parts of your Day³ pushchair are anodized to protect it from external influences such as corrosion. Anodized aluminium parts are vulnerable to acidic cleaners or grease, which can cause stains and discoloration of the aluminium parts. We therefore advise you to clean the aluminium parts of your pushchair with warm water and a soft cloth.

WARRANTY

Joolz offers lifetime warranty on the Joolz Day³. The warranty covers all material and manufacturing faults, but not the exchange or return of the product. To be eligible for the lifetime warranty, all you have to do is register your Joolz pushchair on register.joolz.com within six months of purchase and keep your original proof of purchase including a purchase date. If you do not register your Joolz pushchair within six months after purchase, you will receive a two-year warranty.

The warranty is only valid if you supply the following items to your retailer along with the defective product:

- 1) Your warranty certificate,
- 2) Any form of personal identification,
- 3) A copy of the receipt of purchase (including a purchase date),
- 4) A detailed description of the defect.

You will receive the warranty certificate after you have registered your Joolz pushchair on our website register.joolz.com.

If your retailer cannot assist you with your complaint, contact Joolz. Please note, any repairs do not extend the warranty period.

THE WARRANTY DOES NOT COVER:

- 1) Defects caused by ordinary wear and tear, such as worn wheels and fabrics by everyday use, scratches on the aluminium and/or metal and natural discoloration of materials over time or by not following the maintenance instructions.
- 2) Damage to wheels such as holes and tears.
- 3) Damage caused by accidents, improper use, negligence, fire, contact with liquids or another external cause.
- 4) Damage resulting from non-compliance with the instruction manual, instruction movies or other Joolz guidelines.
- 5) Damage caused by another product, including accessories.
- 6) Damage by service or repair by an unofficial representative of Joolz.
- 7) Theft.
- 8) Air transportation or freight damage.

Safety was an important consideration throughout the development of the Joolz Day³ pushchair and cot. Our products therefore meet the following safety standards:

Europe: EN 1888:2012 / EN 1466:2014/AC: 2015
 United States: ASTM F833-15 / ASTM F2050-16
 Canada: SOR/2016-167
 Australia: AS/NZS 2088:2013

Please visit joolz.com, facebook.com/myjoolz or contact your retailer for any questions and/or comments.

WICHTIG: BITTE LESEN SIE SICH DIESE ANWEISUNGEN VOR DER VERWENDUNG SORGFÄLTIG DURCH UND BEWAHREN SIE SIE FÜR REFERENZZWECKE AUF.

⚠️ WARNUNG

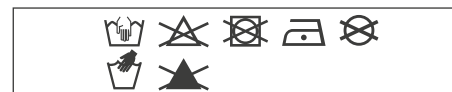
- + Lassen Sie Ihr Kind niemals unbeaufsichtigt.
- + Stellen Sie sicher, dass alle Verriegelungselemente vor der Verwendung geschlossen sind.
- + Stellen Sie, um Verletzungen zu vermeiden, sicher, dass Ihr Kind nicht in Reichweite ist, wenn dieses Produkt auf- oder zugeklappt wird.
- + Lassen Sie Ihr Kind nicht mit dem Produkt spielen.
- + Diese Sitzeinheit ist für Kinder unter 6 Monaten nicht geeignet.
- + Verwenden Sie immer das Rückhaltesystem.
- + Prüfen Sie, dass die Befestigungsvorrichtungen von Wanne, Sitze oder Babyschale korrekt eingerastet sind.
- + Dieses Produkt ist nicht zum Laufen oder Skaten geeignet.
- + Joolz Day³ Wannens und Sitzeinheiten sind nur mit dem Joolz Day³ Gestell und umgekehrt kompatibel.
- + Verwenden Sie keine zusätzliche Matratze.
- + Gewichte, die an den Seiten und/oder am Griff des Joolz Day³ -Kinderwagens angebracht sind, können die Stabilität beeinträchtigen.
- + Wannens oder Sitzeinheiten des Joolz Day³ sind jeweils nur für einen Passagier gedacht.
- + Verwenden Sie nur Wannens, Sitzeinheiten, Ersatzteile und Zubehör, das von Joolz zugelassen ist.
- + Eine Babyschale in Verbindung mit dem Joolz Day³ Gestell kann weder eine Wiege noch ein Bett ersetzen. Wenn Ihr Kind schlafen muss, sollten Sie es in eine geeignete Wiege oder ein Bett legen.
- + Verwenden Sie den Kinderwagen nicht, wenn Teile beschädigt oder gerissen sind oder ganz fehlen.
- + Aktivieren Sie beim Zusammenklappen des Kinderwagens immer den Feststellclip für die Schwenkräder.
- + Beim Hereinlegen oder Herausnehmen des Kindes sollten die Bremsen immer blockiert sein.
- + Zubehör, das nicht von Joolz bereitgestellt wurde, sollte nicht verwendet werden.
- + Verwenden Sie nur Ersatzteile, die von Joolz geliefert oder empfohlen werden.
- + Dieser Sitz ist für Kinder ab 6 Monaten gedacht, mit einem Höchstgewicht von 22 kg/48.5 lbs.

⚠️ WARNUNGEN FÜR DIE WANNE

- + Die Joolz Day³ Wanne ist geeignet für ein Kind, das nicht ohne Hilfe aufrecht sitzen, herumrollen oder sich mit den Händen und Knien hochdrücken kann. Höchstgewicht des Kindes: 9 kg.
- + Dieses Produkt ist nur für Kinder geeignet, die ohne Hilfe nicht aufrecht sitzen können.
- + Nur auf einem festen, horizontalen und trockenen Untergrund verwenden.
- + Lassen Sie andere Kinder nicht unbeaufsichtigt neben der Wanne spielen.
- + Verwenden Sie das Produkt nicht, wenn ein Teil der Wanne zerbrochen oder zerrissen ist oder ganz fehlt.
- + Halten Sie den Joolz Day³ fern von offenem Feuer und anderen Wärmequellen, wie z.B. elektrischen Stabheizungen, Gasfeuer usw.
- + Die Griffe und die Unterseite der Babytragetasche sollten regelmäßig auf Schäden und Verschleiß geprüft werden
- + Stellen Sie vor Verwendung sicher, dass der Sicherheitsbügel ordnungsgemäß an der Wanne oder Sitzeinheit befestigt ist.
- + Der Kopf des Kindes in der Wanne sollte niemals tiefer als sein Körper liegen.
- + Legen Sie auf die von Joolz gelieferte Matratze keine weitere Matratze.

WARTUNG/WASCHANLEITUNG

Reinigen Sie den Stoff mit lauwarmem Wasser und Seife. Spülen Sie ihn mit frischem Wasser und lassen Sie ihn trocknen. Verwenden Sie keine Bleichmittel oder chemischen Reinigungsmittel. Behandeln Sie die Räder und Metallteile in regelmäßigen Abständen (etwa einmal pro Monat) mit Teflon- oder Silikonspray um sicherzustellen, dass der Kinderwagen weiter reibungslos fährt.



Die Aluminiumteile Ihres Day³-Kinderwagens sind eloxiert, um sie vor externen Einflüssen wie Rost zu schützen. Eloxierete Aluminiumteile reagieren empfindlich auf säurehaltige Reinigungsmittel oder Fett, was zu Flecken oder Verfärbungen der Aluminiumteile führen kann. Wir raten Ihnen aus diesem Grund, die Aluminiumteile Ihres Kinderwagens mit warmem Wasser und einem weichen Tuch zu reinigen.

GARANTIE

Joolz bietet eine lebenslange Garantie auf den Joolz Day³. Die Garantie umfasst alle Material- und Herstellungsfehler, nicht aber den Umtausch und die Rückgabe des Produktes. Für den Anspruch auf die lebenslange Garantie musst Du Deinen Joolz-Kinderwagen einfach innerhalb von sechs Monaten nach dem Kauf auf register.joolz.com registrieren und Deinen Originalkaufbeleg mit Kaufdatum aufbewahren. Wenn Du Deinen Joolz-Kinderwagen nicht innerhalb von sechs Monaten nach dem Kauf registrierst, erhältst Du eine zweijährige Garantie.

Die Garantie kann nur gewährleistet werden, wenn Folgendes zusammen mit dem defekten Produkt beim Händler vorgelegt wird:

- 1) Dein garantiezerifikat,
- 2) Jede form einer persönlichen identifikation,
- 3) Eine kopie des kaufbelegs (einschließlich kaufdatum),
- 4) Eine detaillierte beschreibung des mangels.

Du erhältst das Garantiezerifikat, nachdem Du Deinen Joolz-Kinderwagen auf unserer Website register.joolz.com registriert hast.

Wenn Dein Händler bei der Reklamation nicht weiterhelfen kann, wende Dich bitte an Joolz. Bitte beachte, dass Reparaturen den Garantiezeitraum nicht verlängern.

DIE GARANTIE DECKT FOLGENDES NICHT AB:

- 1) Defekte, die durch gewöhnlichen Verschleiß verursacht werden, wie z. B. abgenutzte Räder und Stoffe bei alltäglichem Gebrauch, Kratzer auf dem Aluminium und/oder Metall und natürliche Verfärbung von Materialien im Laufe der Zeit oder bei Nichtbeachtung der Wartungsanweisungen.
- 2) Schäden an den Rädern, wie Löcher oder Risse.
- 3) Schäden durch Unfälle, unsachgemäßen Gebrauch, Fahrlässigkeit, Feuer, Kontakt mit Flüssigkeiten oder anderen äußeren Ursachen.
- 4) Schäden, die sich aus der Nichtbeachtung der Bedienungsanleitung, Anleitungsvideos oder anderer Joolz-Richtlinien ergeben.
- 5) Schäden, die durch ein anderes Produkt, einschließlich Accessoires, verursacht werden.
- 6) Schäden durch eine Wartung oder Reparatur durch einen inoffiziellen Vertreter von Joolz.
- 7) Diebstahl.
- 8) Lufttransport- oder Frachtschäden.

Die Sicherheit war bei der gesamten Entwicklung des Joolz Day³-Kinderwagens und der Wanne ein wichtiger Aspekt. Unsere Produkte erfüllen daher folgende Sicherheitsstandards:

Europa: EN 1888:2012 / EN 1466:2014/AC: 2015
 USA: ASTM F833-15 / ASTM F2050-16
 Kanada: SOR/2016-167
 Australien: AS/NZS 2088:2013

Bei Fragen und/oder Anmerkungen kannst Du joolz.com, facebook.com/myjoolz besuchen, oder Dich an Deinen Händler wenden.

BELANGRIJK: NEEM DEZE AANWIJZINGEN VOOR GEBRUIK ZORGVULDIG DOOR EN BEWAAR ZE VOOR TOEKOMSTIG GEBRUIK.

⚠ WAARSCHUWING

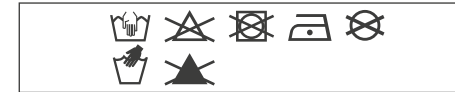
- + Laat uw kind nooit achter zonder toezicht.
- + Zorg dat alle sluitingen voor gebruik zijn vastgemaakt.
- + Voorkom letsel en houd uw kind uit de buurt tijdens het in- en uitklappen van dit product.
- + Laat uw kind niet met dit product spelen.
- + Dit stoeltje is niet geschikt voor kinderen jonger dan 6 maanden.
- + Gebruik altijd de gordels.
- + Controleer voor gebruik of de wieg, het stoeltje of het autostoeltje op de juiste manier zijn bevestigd.
- + Dit product is niet geschikt om mee te joggen of te rolschaatsen.
- + De wieg en het stoeltje van de Joolz Day³ passen alleen op het onderstel van de Joolz Day³ en omgekeerd.
- + Gebruik geen extra matrassen.
- + Gewicht dat aan de zijkanten en/of de handgreep van de Joolz Day³ wordt gehangen kan de stabiliteit van de kinderwagen beïnvloeden.
- + De wieg en het stoeltje van de Joolz Day³ zijn beide geschikt voor één passagier.
- + Gebruik alleen stoeltjes, autostoeltjes, vervangende onderdelen en accessoires die door Joolz zijn goedgekeurd.
- + Gebruik de kinderwagen niet als er onderdelen beschadigd, gescheurd of incompleet zijn.
- + Vergrendel altijd de voorste zwenkwielen als u de wandelwagen inklapt. Als deze aanwijzing niet wordt opgevolgd kunnen de banden geblokkeerd raken en vervormen, met name in een warme omgeving.
- + De vergrendeling moet altijd worden gebruikt bij het plaats en verwijderen van kinderen.
- + Gebruik geen accessoires die niet door Joolz zijn geleverd.
- + Gebruik alleen reserve onderdelen die door Joolz worden geleverd of aanbevolen.
- + Dit stoeltje is bedoeld voor kinderen vanaf 6 maanden met een maximaal gewicht van 22 kg/48.5 lbs.

⚠ WAARSCHUWINGEN VOOR DE REISWIEG

- + De wieg van de Joolz Day³ is geschikt voor kinderen die niet zelfstandig kunnen zitten, die zich niet kunnen omdraaien en die niet op handen en knieën kunnen gaan zitten. Maximaal gewicht van het kind: 9 kg.
- + Dit product is alleen geschikt voor kinderen die niet zelfstandig kunnen blijven zitten.
- + Alleen gebruiken op een solide, egaal en droog oppervlak.
- + Laat andere kinderen niet zonder toezicht in de buurt van de reiswieg spelen.
- + Niet gebruiken als er onderdelen van de reiswieg beschadigd, gescheurd of incompleet zijn.
- + Houd de Joolz Day³ uit de buurt van open vuur en andere hittebronnen, zoals kookplaten, gashaarden etc.
- + Controleer de handgrepen en de onderkant van de reiswieg regelmatig op beschadigingen en slijtage.
- + Zorg dat de veiligheidsbeugel voor gebruik correct is bevestigd aan de wieg of het stoeltje.
- + Het hoofd van het kind in de reiswieg mag nooit lager liggen dan het lichaam van het kind.
- + Plaats geen extra matras op het matras van Joolz.

AANWIJZINGEN VOOR ONDERHOUD/REINIGING

Reinig de stof met lauw water en zeep. Spoel af met schoon water en laat drogen. Gebruik geen bleek of andere chemische reinigingsmiddelen. Behandel de wielen en de metalen onderdelen regelmatig (ongeveer een keer per maand) met Teflon of met siliconenspray, zodat de kinderwagen soepel blijft werken.



De aluminium onderdelen van de Day³ kinderwagen zijn geanodiseerd en daardoor beschermd tegen externe invloeden zoals corrosie. Geanodiseerde aluminium onderdelen zijn slecht bestand tegen zure schoonmaakmiddelen of vet, waardoor vlekken en verkleuringen kunnen ontstaan. Wij raden dan ook aan om de aluminium onderdelen van de kinderwagen te reinigen met warm water en een zachte doek.

GARANTIE

Joolz biedt levenslange garantie op de Joolz Day³. Alle materiaal- en fabricagefouten worden gedekt door de garantie, maar dit geldt niet voor het ruilen of terugbrengen van het product. In aanmerking komen voor de levenslange garantie? Registreer je kinderwagen binnen zes maanden op register.joolz.com en bewaar het originele aankoopbewijs met de aankoopdatum. Indien je jouw Joolz kinderwagen niet registreert binnen zes maanden na aankoop, dan krijg je standaard een garantie van twee jaar.

De garantie is alleen geldig als het defecte product bij de winkelier wordt afgeleverd samen met het volgende:

- 1) Je garantiecertificaat,
- 2) Een legitimatiebewijs,
- 3) Een kopie van het aankoopbewijs (met aankoopdatum),
- 4) Een uitgebreide beschrijving van het mankement.

Het garantiecertificaat krijg je nadat je jouw Joolz kinderwagen hebt geregistreerd op de website register.joolz.com.

Neem contact op met Joolz, als je winkelier je niet kan helpen met je klacht. Let op: de garantieperiode wordt niet verlengd als er reparaties moeten worden uitgevoerd.

HET VOLGENDE WORDT NIET GEDEKT DOOR DE GARANTIE:

- 1) Gebreken die worden veroorzaakt door gewone slijtage, zoals wielen en stoffen die versleten raken door alledaags gebruik, krassen op het aluminium en/of metaal en de natuurlijke verkleuring van materialen die na verloop van tijd ontstaat, of door het niet opvolgen van de onderhoudsvoorschriften.
- 2) Schade aan wielen, zoals gaten en scheuren.
- 3) Schade door ongelukken, oneigenlijk gebruik, nalatigheid, vuur, contact met vloeistoffen of een andere externe oorzaak.
- 4) Schade als gevolg van het niet opvolgen van de gebruiksaanwijzing, instructiefilms of andere richtlijnen van Joolz.
- 5) Schade door toedoen van een ander product, inclusief accessoires.
- 6) Schade door service of reparatie door iemand die geen officiële vertegenwoordiger is van Joolz.
- 7) Diefstal.
- 8) Luchttransport of vrachtschade.

Tijdens het ontwikkelen van de Joolz Day³ kinderwagen en wieg werd veel aandacht besteed aan veiligheid. Onze producten voldoen derhalve aan de volgende veiligheidsstandaarden:

Europa: EN 1888:2012 / EN 1466:2014/AC: 2015
Verenigde Staten: ASTM F833-15 / ASTM F2050-16
Canada: SOR/2016-167
Australië: AS/NZS 2088:2013

Vragen of opmerkingen? Ga naar my-joolz.com, facebook.com/myjoolz of neem contact op met je winkelier.

IMPORTANT: VEUILLEZ LIRE ATTENTIVEMENT CES INSTRUCTIONS AVANT D'UTILISER LA POUSSETTE ET CONSERVEZ-LES POUR FUTURE RÉFÉRENCE.

⚠️ AVERTISSEMENT

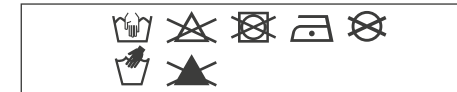
- + Ne laissez jamais votre enfant sans surveillance.
- + Vérifiez que tous les dispositifs de verrouillage sont correctement enclenchés avant toute utilisation.
- + Afin d'éviter toute blessure, assurez-vous de maintenir votre enfant à l'écart lorsque vous pliez et dépliez la poussette.
- + Ne laissez pas votre enfant jouer avec ce produit.
- + Ce siège ne convient pas aux enfants de moins de 6 mois.
- + Utilisez toujours le système de retenue.
- + Vérifiez que les nacelles, sièges ou sièges auto sont bien fixés avant toute utilisation.
- + Ce produit ne convient pas pour faire du jogging ou des promenades en rollers.
- + Les nacelles et sièges Joolz Day³ ne sont compatibles qu'avec le châssis Joolz Day³, et inversement.
- + N'utilisez pas de matelas supplémentaire.
- + Toute charge fixée sur les côtés et/ou sur le guidon de la poussette Joolz peut affecter sa stabilité.
- + Les nacelles ou sièges Joolz Day³ ne peuvent accueillir qu'un seul passager.
- + N'utilisez que les sièges, les sièges auto, les pièces de rechange et les accessoires approuvés par Joolz.
- + Pour les sièges auto utilisés en conjonction avec le châssis Joolz Day³, ce mode de transport ne remplace pas une nacelle ou un lit. Si votre enfant a besoin de dormir, il doit être placé dans la poussette Joolz Day³, une nacelle ou un lit.
- + N'utilisez pas la poussette si l'une des pièces est endommagée, usée ou manquante.
- + Verrouillez toujours les roues avant pivotantes lorsque vous pliez la poussette. Le non-respect de cette consigne peut causer l'obstruction des pneus et entraîner leur déformation, surtout dans un environnement chaud.
- + Les freins devraient toujours être engagés lorsque vous placez votre enfant dans la poussette ou l'en sortez.
- + N'utilisez pas d'accessoires non fournis par Joolz.
- + Seules les pièces de rechange fournies ou recommandées par Joolz devraient être utilisées.
- + Ce siège est destiné aux enfants d'au moins 6 mois, jusqu'à un poids maximum de 22 kg/48.5 lbs.

⚠️ AVERTISSEMENTS RELATIFS À LA NACELLE

- + La nacelle Joolz Day³ ne convient qu'aux enfants qui ne peuvent pas encore s'asseoir seuls, se tourner, ou se lever sur les mains et les genoux. Poids maximum de l'enfant: 9 kg.
- + Ce produit ne convient qu'aux enfants qui ne peuvent pas encore s'asseoir seuls.
- + N'utilisez que sur une surface horizontale ferme, plane et sèche.
- + Ne laissez pas d'autres enfants jouer à proximité de la nacelle sans surveillance.
- + N'utilisez pas la nacelle si une pièce est cassée, usée ou manquante.
- + Tenir la Joolz Day³ à l'écart des foyers ouverts et autres sources de chaleur, tels que les chauffages électriques, au gaz, etc.
- + Les poignées et le fond de la nacelle devraient être régulièrement examinés pour détecter tout dommage ou signe d'usure.
- + Vérifiez toujours que l'arceau de sécurité est correctement fixé à la nacelle/au siège avant toute utilisation.
- + Lorsque vous placez votre enfant dans la nacelle, veillez toujours à ce que sa tête soit positionnée plus haut que son corps.
- + Ne placez pas de matelas supplémentaire sur le matelas fourni par Joolz.

CONSIGNES D'ENTRETIEN/DE NETTOYAGE

Nettoyez la housse à l'eau tiède et au savon. Rincez à l'eau froide et laissez sécher. N'utilisez jamais d'eau de javel ni d'autres détergents chimiques. Traitez régulièrement (environ une fois par mois) les roues et pièces métalliques avec un spray de Téflon ou de silicone, pour que la poussette continue de rouler correctement.



Les pièces en aluminium de votre poussette Day³ sont anodisées pour les protéger des éléments externes, tels que la corrosion. Les pièces en aluminium anodisé sont vulnérables aux nettoyants acides ou aux graisses, qui peuvent provoquer des taches et une décoloration des pièces en aluminium. Nous vous conseillons de nettoyer les pièces en aluminium de votre poussette à l'eau chaude et avec un chiffon doux.

GARANTIE

Joolz offre une garantie à vie sur la Joolz Day³. Cette garantie couvre tous les défauts de matériel et de fabrication, mais pas l'échange ou le retour du produit. Pour bénéficier de la garantie à vie, il vous suffit d'enregistrer votre poussette Joolz sur register.joolz.com au cours des six mois suivant son achat et de conserver votre reçu d'origine où figure la date d'achat. Si vous n'enregistrez pas votre poussette Joolz dans les six mois suivant son achat, vous bénéficierez d'une garantie de deux ans.

La garantie n'est valable que si vous présentez les éléments suivants à votre revendeur en même temps que le produit défectueux:

- 1) Votre certificat de garantie,
- 2) Une pièce d'identité,
- 3) Une copie de la preuve d'achat (précisant la date d'achat),
- 4) Une description détaillée du défaut.

Vous recevrez le certificat après avoir enregistré votre poussette Joolz sur notre site Internet register.joolz.com.

Si votre revendeur ne peut répondre à votre demande, contactez Joolz. Veuillez noter que les réparations ne prolongent pas la période de garantie.

LA GARANTIE NE COUVRE PAS:

- 1) Les défauts causés par l'usure normale, comme l'usure des roues et des tissus liée à l'usage quotidien, les rayures sur l'aluminium et/ou le métal et la décoloration naturelle des matériaux dans le temps, ni les dégâts dus au non-respect des instructions d'entretien.
- 2) Les dégâts subis par les roues, tels que trous et déchirures.
- 3) Les dégâts causés par des accidents, une mauvaise utilisation, la négligence, le feu, le contact avec des liquides ou toute autre cause externe.
- 4) Les dégâts résultant du non-respect des consignes du mode d'emploi, des vidéos explicatives ou d'autres directives de Joolz.
- 5) Les dégâts causés par un autre produit, y compris les accessoires.
- 6) Les dégâts consécutifs à un entretien ou une réparation effectués par un représentant non officiel de Joolz.
- 7) Le vol.
- 8) Les dégâts subis pendant le transport aérien ou ordinaire.

La sécurité est au cœur du développement de la poussette et de la nacelle Joolz Day³. Nos produits respectent donc les normes de sécurité les plus strictes :

Europe: EN 1888:2012 / EN 1466:2014/AC: 2015
États-Unis: ASTM F833-15 / ASTM F2050-16

Canada: SOR/2016-167

Australie: AS/NZS 2088:2013

Veillez consulter my-joolz.fr, facebook.com/myjoolz ou contacter votre revendeur pour toute question et/ou commentaire.

IMPORTANTE: LEE ESTAS INSTRUCCIONES CUIDADOSAMENTE ANTES DE USAR Y GUÁRDALAS PARA CONSULTAS FUTURAS.

⚠️ ADVERTENCIA

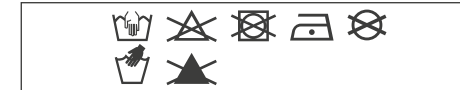
- + Nunca dejes al niño solo sin supervisión.
- + Comprueba que todos los dispositivos de bloqueo están activados antes del uso.
- + Para evitar que se produzcan lesiones, asegúrate de que los niños están alejados al desplegar y plegar este producto.
- + No permitas que los niños jueguen con este producto.
- + Esta sillita no es adecuada para niños menores de 6 meses.
- + Utiliza siempre el sistema de retención.
- + Comprueba que los dispositivos de conexión de los capazos, las sillitas o los portabebés están bien colocados antes de usarlos.
- + Este producto no es adecuado para correr o patinar.
- + Los capazos y las sillitas Joolz Day³ solo son compatibles con el chasis del Joolz Day³ y viceversa.
- + No utilizar colchones adicionales.
- + Las cargas colocadas en los laterales y/o el manillar del carrito Joolz Day³ pueden afectar su estabilidad.
- + El capazo o la sillita Joolz Day³ puede transportar solo a un pasajero.
- + Utilizar solo sillitas, portabebés, piezas de repuesto y accesorios aprobados por Joolz.
- + Para portabebés conectados al chasis del Joolz Day³, este vehículo no sustituye a un capazo o a una cama. Si el niño necesita dormir, debe colocarse en la sillita o el capazo del Joolz Day³ o en una cama.
- + No utilizar el carrito si una de las piezas está dañada, rota o faltante.
- + Acciona siempre el bloqueo de las ruedas giratorias delanteras al plegar la silla. De no hacerlo, esto podría obstruir los neumáticos y deformarlos, especialmente cuando hace un tiempo caluroso.
- + Pisa siempre el freno al meter o sacar el niño del carrito.
- + No deben usarse otros accesorios no proporcionados por Joolz.
- + Solo deben usarse piezas de repuesto suministradas o recomendadas por Joolz.
- + Esta sillita está indicada para niños mayores de seis meses y hasta un peso máximo de 22 kg/48.5 lbs.

⚠️ ADVERTENCIA PARA EL CAPAZO

- + El capazo del Joolz Day³ es adecuado para niños que no pueden sentarse sin ayuda, girar ni levantarse con la ayuda de las manos y las rodillas. Peso máximo del niño: 9 kg.
- + Este producto solo es adecuado para niños que no pueden sentarse sin ayuda.
- + Usar solo sobre una superficie firme, horizontal y seca.
- + No deje que otros niños jueguen sin supervisión cerca del capazo.
- + No utilizar si una pieza del capazo está rota, desgastada o faltante.
- + Mantener el Joolz Day³ lejos de llamas abiertas y otras fuentes de calor, tales como estufas eléctricas, quemadores de gas, etc.
- + Las asas y la parte inferior del capazo deben inspeccionarse periódicamente para detectar signos de daños y desgaste.
- + Comprobar que la barra de seguridad está colocada correctamente al capazo o la sillita antes de usarla.
- + La cabeza del niño colocado en el capazo no debe ir en una posición más baja que el resto del cuerpo.
- + No colocar un colchón adicional sobre el colchón proporcionado por Joolz.

INSTRUCCIONES DE LAVADO/ MANTENIMIENTO

Limpia el tejido con agua templada y jabón. Aclara el tejido con agua limpia y deja secar al aire. No utilices lejías ni otros detergentes abrasivos. Trata las ruedas y las otras piezas metálicas periódicamente (una vez al mes aprox.) con spray de silicona o teflón para garantizar un funcionamiento correcto del carrito.



Las piezas de aluminio del carrito Day³ están anodizadas para protegerlo de las influencias externas tales como la corrosión. Las piezas de aluminio anodizado son vulnerables a la grasa y los detergentes ácidos, lo que puede provocar manchas y decoloración de las piezas de aluminio. Por lo tanto, recomendamos limpiar las piezas de aluminio de su carrito con agua templada y un paño suave.

GARANTÍA

Joolz ofrece garantía de por vida en el Joolz Day³. La garantía cubre todos los defectos de materiales y fabricación, pero no el cambio o la devolución del producto. Para ser elegible para la garantía de por vida, todo lo que tienes que hacer es registrar tu carrito de Joolz en register.joolz.com dentro de los seis meses posteriores a la compra y conservar tu comprobante de compra original, incluida la fecha de compra. Si no registras tu carrito Joolz en los seis meses posteriores a la compra, recibirás una garantía de dos años.

La garantía solo es válida si entrega los artículos siguientes a su distribuidor junto con el producto defectuoso:

- 1) Tu certificado de garantía,
- 2) Cualquier forma de identificación personal,
- 2) Una copia del recibo de la compra (incluida una fecha de compra),
- 3) Una descripción detallada del defecto.

Recibirás el certificado de garantía después de que hayas registrado tu silla de paseo Joolz en nuestro sitio web register.joolz.com.

Si tu vendedor no puede ayudarte con tu queja, comunícate con Joolz. Ten en cuenta que las reparaciones no extienden el período de garantía.

LA GARANTÍA NO CUBRE:

- 1) Defectos causados por el uso y desgaste normal, tales como llantas y tejidos desgastados por el uso diario, arañazos en el aluminio y/o metal y decoloración natural de los materiales con el tiempo o al no seguir las instrucciones de mantenimiento.
- 2) Daño a las ruedas, como agujeros y desgarros.
- 3) Daño causado por accidentes, uso indebido, negligencia, incendio, contacto con líquidos u otra causa externa.
- 4) Daños resultantes del incumplimiento del manual de instrucciones, videos de instrucciones u otras pautas de Joolz.
- 5) Daño causado por otro producto, incluidos los accesorios.
- 6) Daño por servicio o reparación por un representante no oficial de Joolz.
- 7) Robo.
- 8) Transporte aéreo o daños de transporte.

La seguridad fue una consideración importante durante el desarrollo del la silla de paseo y la cuna Joolz Day³. Por lo tanto, nuestros productos cumplen con los siguientes estándares de seguridad:

Europa: EN 1888:2012 / EN 1466:2014/AC: 2015
 Estados Unidos: ASTM F833-15 / ASTM F2050-16
 Canadá: SOR/2016-167
 Australia: AS/NZS 2088:2013

Visita joolz.com, facebook.com/myjoolz o ponte en contacto con tu distribuidor si tienes cualquier pregunta y/o comentario.

IMPORTANTE: LEIA ATENTAMENTE ESTAS INSTRUÇÕES ANTES DA UTILIZAÇÃO E GUARDE-AS PARA CONSULTA FUTURA.

⚠️ AVISO

- + Nunca deixe o bebé sem supervisão.
- + Certifique-se de que todos os dispositivos de bloqueio estão engatados antes da utilização.
- + Para evitar ferimentos, certifique-se de que o bebé se mantém afastado quando desdobrar e dobrar este produto.
- + Não deixe o bebé brincar com este produto.
- + Esta cadeira não é adequada para bebés com menos de 6 meses.
- + Utilize sempre o sistema de imobilização.
- + Verifique se os dispositivos de fixação da alcofa, cadeira ou cadeira auto estão corretamente engatados antes da utilização.
- + Este produto não é adequado para ser utilizado enquanto corre ou anda de patins.
- + A alcofa e a cadeira Joolz Day³ são compatíveis apenas com o chassis Joolz Day³ e vice-versa.
- + Não utilize colchões adicionais.
- + Qualquer peso colocado nas partes laterais e/ou na pega do carrinho Joolz Day³ poderá afetar a respetiva estabilidade.
- + A alcofa ou a cadeira Joolz Day³ pode transportar apenas um passageiro.
- + Utilize apenas cadeiras, cadeiras auto, peças de substituição e acessórios aprovados pela Joolz.
- + Em cadeiras auto combinadas com o chassis Joolz Day³, este veículo não substitui uma alcofa ou cama. Se o seu bebé precisar de dormir, deve colocá-lo no carrinho, alcofa ou cama Joolz Day³.
- + Não utilize o carrinho se alguma das peças estiver danificada, rota ou em falta.
- + Aplique sempre o bloqueio basculante nas rodas dianteiras quando dobrar o carrinho. Caso contrário, os pneus podem ficar obstruídos e isso pode causar deformações, especialmente em ambientes quentes.
- + Os travões devem estar sempre engatados quando colocar e retirar o bebé.
- + Não devem ser utilizados acessórios não fornecidos pela Joolz.
- + Apenas devem ser utilizadas peças suplentes fornecidas ou recomendadas pela Joolz.
- + Esta cadeira destina-se a crianças a partir dos 6 meses até ao peso máximo de 22 kg/48.5 lbs.

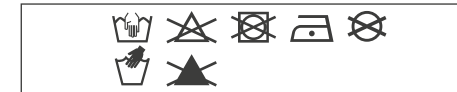
⚠️ AVISOS

PARA A ALCOFA DE TRANSPORTE

- + A alcofa Joolz Day³ é adequada para um bebé que não consiga sentar-se sozinho, rodar sobre si próprio ou colocar-se de gatas. Peso máximo da criança: 9 kg
- + Este produto é adequado apenas para um bebé que não consiga sentar-se sem ajuda.
- + Utilize apenas numa superfície horizontal firme, nivelada e seca.
- + Não deixe que outras crianças brinquem sem supervisão perto da alcofa de transporte.
- + Não utilize se alguma peça da alcofa de transporte estiver partida, rota ou em falta.
- + Mantenha o Joolz Day³ afastado de chamas expostas e outras fontes de calor, como aquecedores elétricos, lareiras a gás, etc.
- + As pegas e a parte inferior da alcofa de transporte devem ser inspeccionadas regularmente quanto a sinais de danos e desgaste.
- + Certifique-se sempre de que a barra para-choques está corretamente engatada na alcofa/cadeira antes da utilização. Na alcofa de transporte, a cabeça do bebé nunca deverá estar abaixo do nível do corpo.
- + Não coloque colchões adicionais no colchão fornecido pela Joolz.

MANUTENÇÃO/INSTRUÇÕES DE LAVAGEM

Limpe o tecido com água morna e sabão. Passe por água limpa e deixe secar. Nunca utilize lixívia ou outros detergentes químicos. Periodicamente (aproximadamente uma vez por mês), aplique um spray de Teflon ou silicone nas rodas e peças de metal para garantir que o carrinho continua a mover-se com facilidade.



As peças de alumínio do carrinho Day³ são anodizadas para o proteger de influências externas como a corrosão. As peças de alumínio anodizado são vulneráveis a produtos de limpeza ácidos ou lubrificantes, que podem causar manchas e descoloração nas peças de alumínio. Recomendamos que limpe as peças de alumínio do carrinho com água morna e um pano macio.

GARANTIA

A Joolz oferece garantia vitalícia para o Joolz Day³. A garantia cobre todos os defeitos de material e de fabrico, mas não a troca ou a devolução do produto. Para ser elegível para a garantia vitalícia, basta registar o seu carrinho Joolz em register.joolz.com, no prazo de seis meses após a compra, e guardar a prova de compra original com indicação da data da compra. Se não registar o seu carrinho Joolz no prazo de seis meses após a compra, receberá uma garantia de dois anos.

A garantia é válida apenas se fornecer os seguintes itens ao seu revendedor juntamente com o produto defeituoso:

- 1) O certificado de garantia,
- 2) Qualquer forma de identificação pessoal,
- 3) Uma cópia do talão de compra (incluindo a data da compra),
- 4) Uma descrição detalhada do defeito.

Receberá o certificado de garantia depois de registar o seu carrinho Joolz no nosso website register.joolz.com.

Se o seu revendedor não conseguir ajudar com a sua reclamação, contacte a Joolz. Tenha em atenção que quaisquer reparações efetuadas não prolongam o período de garantia.

A GARANTIA NÃO COBRE:

- 1) Defeitos causados por desgaste normal como, por exemplo, rodas e tecidos gastos pelo uso diário, riscos no alumínio e/ou metal, descoloração natural dos materiais ao longo do tempo ou não cumprimento das instruções de manutenção.
- 2) Danos nas rodas como, por exemplo, furos e rasgões.
- 3) Danos causados por acidentes, utilização inadequada, negligência, incêndio, contacto com líquidos ou outra causa externa.
- 4) Danos resultantes do não cumprimento do manual de instruções, filmes de instruções ou outras linhas de orientação da Joolz.
- 5) Danos causados por outro produto, incluindo acessórios.
- 6) Danos decorrentes de uma assistência ou reparação realizada por um representante não oficial da Joolz.
- 7) Roubo.
- 8) Danos decorrentes de transporte aéreo ou frete.

A segurança foi uma consideração importante ao longo do desenvolvimento do carrinho e da alcofa Joolz Day³. Como tal, os nossos produtos cumprem as seguintes normas de segurança:

Europa: EN 1888:2012 / EN 1466:2014/AC: 2015
 Estados Unidos: ASTM F833-15 / ASTM F2050-16
 Canadá: SOR/2016-167
 Austrália: AS/NZS 2088:2013

Visite my-joolz.com, facebook.com/myjoolz ou contacte o seu revendedor se tiver dúvidas e/ou comentários.

IMPORTANTE: SI PREGA DI LEGGERE QUESTE ISTRUZIONI ATTENTAMENTE PRIMA DELL'USO E DI CUSTODIRLE PER OGNI EVENIENZA.

⚠️ AVVERTENZA

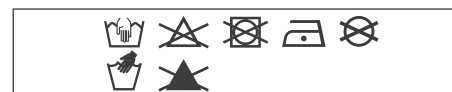
- + Non lasciate mai il vostro bambino incustodito.
- + Prima dell'uso verificate che tutti i dispositivi di bloccaggio siano innestati.
- + Per evitare lesioni accertatevi che il vostro bambino sia a distanza di sicurezza mentre aprite e chiudete il prodotto.
- + Non lasciate che il vostro bambino giochi con questo prodotto.
- + Questo seggiolino non è adatto ai bambini sotto i 6 mesi.
- + Utilizzate sempre il sistema di ritenuta.
- + Prima dell'uso verificate che tutti i dispositivi di fissaggio della navicella, della seduta o del seggiolino per auto siano innestati.
- + L'utilizzo di questo prodotto non è indicato mentre viene svolta attività fisica come correre o pattinare.
- + Le navicelle e le sedute Joolz Day³ sono compatibili solo con il telaio Joolz Day³ e vice versa.
- + non utilizzate alcun materasso supplementare.
- + Qualsiasi peso fissato a un lato e/o al maniglione del passeggino Joolz Day³ potrebbe comprometterne la stabilità.
- + Le navicelle o le sedute Joolz Day³ possono accogliere solo un bambino alla volta.
- + Utilizzate esclusivamente sedute, seggiolini per auto, parti di ricambio e accessori approvati da Joolz.
- + Il seggiolino per auto abbinato al telaio del Joolz Day³ non sostituisce la culla o il lettino. Se il vostro bambino ha bisogno di dormire, dovrete utilizzare il passeggino Joolz Day³, il passeggino o il lettino.
- + Non usate il passeggino se i componenti sono danneggiati, strappati o mancanti.
- + Applicare sempre il blocco sulle ruote anteriori prima di chiudere il passeggino, per evitare di comprimere gli pneumatici e rischiare che si deformino, soprattutto in ambienti caldi.
- + Il freno di stazionamento deve essere sempre inserito mentre adagiate o sollevate i bambini dal passeggino.
- + Non usate accessori non forniti da Joolz.
- + Utilizzate esclusivamente ricambi forniti o raccomandati da Joolz.
- + Questa seduta è destinata a bambini da 6 mesi in su, e fino ad un peso massimo di 22 kg/48.5 lbs.

⚠️ AVVERTENZE PER LA NAVICELLA

- + La navicella Joolz Day³ è adatta solo a bambini che non sono in grado di sedersi, girarsi o sollevarsi da soli su mani e ginocchia. Peso massimo del bambino: 9 kg.
- + Questo prodotto è adatto solo a bambini che non sono in grado di sedersi da soli.
- + Utilizzare solo su superfici piane, compatte e asciutte.
- + Non lasciate giocare altri bambini vicini alla navicella.
- + Non usate la navicella in presenza di componenti danneggiati, lacerati o mancanti.
- + Tenete Joolz Day³ lontano da fiamme libere e altre fonti di calore, quali stufette elettriche, caminetti, ecc.
- + Il manubrio e il fondo della navicella devono essere controllati regolarmente per individuare eventuali segni di danni e usura.
- + Prima dell'uso, verificate che la barra paracolpi sia correttamente inserita per nella navicella/seduta.
- + La testa del bambino nella navicella non deve essere a un livello più basso rispetto al suo corpo.
- + Non mettete un materasso supplementare sopra il materasso fornito da Joolz.

MANUTENZIONE / ISTRUZIONI PER IL LAVAGGIO

Pulite il tessuto con acqua tiepida e sapone. Sciacquate con acqua pulita e lasciate asciugare. Non usate mai candeggina o altri detergenti chimici. Trattate periodicamente (circa una volta al mese) le ruote e le parti metalliche con uno spray al Teflon o al silicone affinché il passeggino possa continuare a funzionare correttamente.



Le parti in alluminio del passeggino Day³ sono anodizzate per proteggerlo da fattori esterni, quali la corrosione. Le parti in alluminio anodizzato non sono resistenti ai detergenti acidi o grassi, che possono causare macchie e scolorimento. Vi consigliamo pertanto di pulire le parti in alluminio del passeggino con acqua calda e un panno morbido.

GARANZIA

Joolz offre una garanzia a vita sul Joolz Day³. La garanzia copre difetti di materiale e di fabbricazione, ma non la sostituzione o la restituzione del prodotto. Per poter usufruire della garanzia a vita non dovrete fare altro che registrare il tuo passeggino Joolz su register.joolz.com entro sei mesi dalla data di acquisto e conservare la prova di acquisto originale, completa di data di acquisto. Se non registri il tuo passeggino Joolz entro sei mesi dall'acquisto, riceverai una garanzia di due anni.

La garanzia vale solo se si forniscono i seguenti elementi al rivenditore, unitamente al prodotto difettoso:

- 1) Il certificato di garanzia;
- 2) Un qualsiasi documento di identità;
- 3) Una copia della ricevuta di acquisto (compresa la data di acquisto);
- 4) Una descrizione dettagliata del difetto.

Riceverai il certificato di garanzia a fronte della registrazione del tuo passeggino Joolz sul nostro sito web register.joolz.com.

Se il rivenditore non ti può aiutare con il reclamo, contatta Joolz. Ti preghiamo di tenere presente che eventuali riparazioni non estendono il periodo di garanzia.

LA GARANZIA NON COPRE:

- 1) Difetti causati dalla normale usura, come l'usura su ruote e tessuti causata dall'utilizzo quotidiano, graffi sull'alluminio e/o metallo e la decolorazione naturale dei materiali nel tempo o dovuta al mancato rispetto delle istruzioni per la manutenzione.
- 2) Danni a ruote, come forature o lacerazioni.
- 3) Danni causati da incidenti, uso improprio, negligenza, fuoco, contatto con liquidi o altre cause esterne.
- 4) Danni derivanti dal mancato rispetto delle istruzioni del manuale di istruzioni, dei filmati esplicativi o di altre linee guida Joolz.
- 5) Danni causati da un altro prodotto, compresi gli accessori.
- 6) Danni causati da interventi di manutenzione o riparazione eseguiti da un fornitore non ufficiale Joolz.
- 7) Furto.
- 8) Danni di trasporto, incluso il trasporto aereo.

La sicurezza è stata tenuta in grande considerazione durante lo sviluppo del passeggino e della culla Joolz Day³, pertanto i nostri prodotti soddisfano i seguenti standard di sicurezza:

Europa: EN 1888:2012 / EN 1466:2014/AC: 2015
 Stati Uniti: ASTM F833-15 / ASTM F2050-16
 Canada: SOR/2016-167
 Australia: AS/NZS 2088:2013

Visita joolz.com, facebook.com/myjoolz o contatta il tuo rivenditore per eventuali domande e/o commenti.

VIKTIGT: LÄS DENNA BRUKSANVISNING NOGA FÖRE ANVÄNDNING OCH SPARA DEN FÖR FRAMTIDA BRUK.

⚠ VARNING

- + Lämna aldrig barnet utan uppsikt.
- + Se till att alla låsanordningar är säkrade före användning.
- + För att undvika skada ska du se till att barnet hålls på avstånd när du fäller upp och ihop produkten.
- + Låt inte ditt barn leka med produkten.
- + Den här sittdelen är inte lämplig för barn under 6 månader.
- + Använd alltid bältssystemet.
- + Kontrollera att alla fästnanordningar för liggdelen, sittdelen eller bilbarnstolen är korrekt säkrade före användning.
- + Den här produkten är inte lämplig att använda när man joggar eller åker inlines.
- + Joolz Day³-ligg- och sittdelar är endast kompatibla med Joolz Day³-chassin och vice versa.
- + Använd inte någon extra madrass.
- + All last som hängs på sidorna och/eller handtaget på din Joolz Day³ kan påverka dess stabilitet.
- + Joolz Day³-ligg- eller sittdelar kan endast bära ett barn per del.

⚠ VARNINGAR FÖR LIGGDELEN

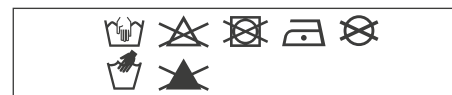
- + Joolz Day³-liggdelen är lämplig för barn som inte kan sitta upp själva, rulla runt eller inte kan trycka upp sig på alla fyra. Maxvikt på barnet: 9 kg.
- + Den här produkten lämpar sig endast för barn som inte kan sitta upp utan hjälp.
- + Använd endast på en stabil, horisontell, jämn och torr yta.
- + Låt inte andra barn leka nära liggdelen utan uppsikt.
- + Använd inte om någon del av liggdelen är skadad, trasig eller saknas.
- + Håll Joolz Day³ borta från öppen eld och andra värmekällor, såsom elektriska värmeelement, kaminer etc.

- + Använd endast sittdelar, bilbarnstolar, reservdelar och tillbehör som är godkända av Joolz.
- + Bilbarnstolar som används tillsammans med Joolz Day³-chassin ska inte ersätta en liggdel eller en säng. Om ditt barn behöver sova bör det placeras i Joolz Day³-vagnen, liggdelen eller sängen.
- + Använd inte vagnen om någon av delarna är skadade, trasiga eller saknas.
- + Lås alltid de främre hjulen när barnvagnen fälls ihop. Att inte låsa hjulen kan leda till att däckan fastnar och deformerar, särskilt i en varm miljö.
- + Bromsarna ska alltid vara säkrade när du lägger ner och tar upp ditt barn.
- + Tillbehör som inte levererats av Joolz ska inte användas.
- + Endast reservdelar som har levererats eller rekommenderats av Joolz ska användas.
- + Den här sittdelen är avsedd för barn från 6 månader upp till en maxvikt på 22 kg/48.5 lbs.

- + Liggdelen bärhandtag och botten bör inspekteras regelbundet för att upptäcka tecken på skador och slitage.
- + Se alltid till att bygeln är korrekt fäst på ligg-/sittdelen före användning.
- + I liggdelen får barnets huvud aldrig ligga lägre än barnets kropp.
- + Lägg ingen extra madrass ovanpå madrassen som levereras av Joolz.

UNDERHÅLL/TVÄTTRÅD

Rengör textilerna med ljummet vatten och tvål. Skölj med rent vatten och låt torka. Använd aldrig blekmedel eller andra kemiska rengöringsmedel. Behandla hjul och metalldelar regelbundet (ungefär en gång i månaden) med teflon eller silikonspray så att vagnen fortsätter att rulla smidigt.



Aluminiumdelarna på din Day³-vagn är anodiserade för att vara skyddade från yttre påverkan såsom rost. Anodiserade aluminiumdelar är känsliga för syrabaserade rengöringsmedel och fett, vilket kan orsaka fläckar och missfärgningar på aluminiumdelarna. Vi råder dig därför att rengöra aluminiumdelarna på din barnvagn med varmt vatten och en mjuk trasa.

GARANTI

Joolz erbjuder en livstidsgaranti för Joolz Day³. Garantin täcker alla material- och tillverkningsfel, men inte byte eller retur av produkten. Allt du behöver göra för att vara berättigad för livstidsgarantin är att registrera din Joolz-barnvagn på register.joolz.com inom sex månader från inköpet och behålla ditt inköpsbevis med inköpsdatum. Om du inte registrerar din Joolz-barnvagn inom sex månader från inköpet kommer du att erhålla en tvåårig garanti.

Garantin gäller endast om du tar med följande objekt till din återförsäljare, tillsammans med den defekta produkten:

- 1) Ditt garanticertifikat,
- 2) Någon form av personlig identifikation,
- 3) En kopia av inköpskvittot (inklusive inköpsdatum),
- 4) En detaljerad beskrivning av felet.

Du får garanticertifikatet när du har registrerat din Joolz-barnvagn på vår hemsida register.joolz.com.

Om din återförsäljare inte kan hjälpa dig med ditt klagomål, kontakta Joolz. Observera att, eventuella reparationer inte förlänger garantitiden.

GARANTIN OMFATTAR INTE:

- 1) Defekter som orsakats av normalt slitage, som slitage på hjul eller textilier efter daglig användning, repor på aluminium- och/eller metalldelar samt normal missfärgning av material efter en tid eller genom att inte följa underhållsanvisningarna.
- 2) Skador på hjul t.ex. hål och slitage.
- 3) Skador som uppstått på grund av olycka, felaktig användning, misskötsel, brand, kontakt med vätskor eller andra externa orsaker.
- 4) Skador som uppstått på grund av underlåtenhet att följa bruksanvisningen, instruktionsfilmerna eller andra riktlinjer från Joolz.
- 5) Skador som orsakats av en annan produkt inklusive tillbehör.
- 6) Skador som uppstått genom service eller reparation av någon som inte är en behörig representant för Joolz.
- 7) Stöld.
- 8) Skador vid flygtransport eller frakt.

Säkerhet har varit en viktig faktor i hela utvecklingsprocessen för Joolz Day³-barnvagnen och -liggdelen. Våra produkter uppfyller därför följande säkerhetsstandarder:

Europa: EN 1888:2012/EN 1466:2014/AC: 2015
 USA: ASTM F833-15/ASTM F2050-16
 Kanada: SOR/2016-167
 Australien: AS/NZS 2088:2013

Besök gärna my-joolz.com, facebook.com/myJoolz eller kontakta din återförsäljare vid eventuella frågor och/eller kommentarer.

VIKTIGT: LÄS DENNA BRUKSANVISNING NOGA FÖRE ANVÄNDNING OCH SPARA DEN FÖR FRAMTIDA BRUK.

⚠ ADVARSEL

- + Forlat aldri barnet uten tilsyn.
- + Sørg for at låsemekanismene er aktivert før bruk.
- + For å unngå skade, sørg for at barnet holdes borte når du justerer, folder ut og folder sammen dette produktet.
- + Ikke la ditt barn leke med dette produktet.
- + Denne sittedelen er ikke egnet for barn under 6 måneder.
- + Bruk alltid sikkerhetsbeltene.
- + Kontroller at liggedelen, sittedelen eller festeanordningene for bilstolen er riktig festet før bruk.
- + Dette produktet er ikke egnet for løping eller bruk med skøyter.
- + Joolz Day³ ligge- og sittedelene er kun kompatible med Joolz Day³ understellet og omvendt.
- + Må ikke brukes med ekstra madrass.
- + Enhver last festet til sidene og/eller håndtaket til Joolz Day³ barnevognen kan påvirke dens stabilitet.
- + Joolz Day³ ligge- eller sittedelene kan hver bære bare én passasjer.
- + Bruk kun ligge- eller sittedeler, bilstoler, reservedeler og tilbehør som er godkjent av Joolz.

⚠ ADVARSLER FOR LIGGEDELEN

- + Joolz Day³ er egnet for et barn som ikke kan sitte opp av seg selv, rulle over og ikke kan presse seg opp på sine hender og knær. Maksimal vekt for barnet: 9 kg.
- + Dette produktet er kun egnet for et barn som ikke kan sitte opp av seg selv.
- + Bruk kun på en fast, horisontal og tørr overflate.
- + Ikke la andre barn leke uten tilsyn i nærheten av liggedelen.
- + Må ikke brukes hvis en del av liggedelen er ødelagt, revnet eller mangler.
- + Hold Joolz Day³ vekk fra åpen ild og andre

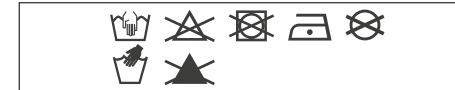
- + For bilstoler i forbindelse med Joolz Day³ understellet, erstatter dette befordringsmiddelet ikke en liggedel eller en seng. Skulle barnet ditt trenge å sove, bør det plasseres i Joolz Day³ barnevognen, liggedelen eller sengen.
- + Ikke bruk barnevognen dersom noen av delene er skadet, revnet eller mangler.
- + Bruk alltid svivellåsen på forhjulene når barnevognen foldes sammen. Unnlattelse av å gjøre dette kan resultere i sperring av dekkene, noe som fører til deformasjon, spesielt i et varmt miljø.
- + Bremsene skal alltid være aktivert når du plasserer og fjerner barna.
- + Tilbehør som ikke er levert av Joolz skal ikke brukes.
- + Bruk kun reservedeler levert eller anbefalt av Joolz.
- + Denne sittedelen er beregnet for barn fra 6 måneder opp til en maksimal vekt på 22 kg/48.5 lbs.

varmekilder, som elektriske varmeelementer, gasskaminer, osv.

- + Håndtakene og bunnen av liggedelen bør kontrolleres regelmessig for tegn på skade og slitasje.
- + Kontroller alltid at frontbøylen er riktig festet til ligge-/sittedelen før bruk.
- + Hodet til barnet i liggedelen må aldri være lavere enn kroppen til barnet.
- + Ikke legg en ekstra madrass på madrassen som er levert av Joolz.

VEDLIKEHOLDS- / VASKEANVISNINGER

Rengjør stoffet med lunkent vann og såpe. Skyll med rent vann og la tørke. Bruk aldri blekemiddel eller andre kjemiske rengjøringsmidler. Behandle hjulene og metalldelene med teflon- eller silikonspray med jevne mellomrom (ca. en gang i måneden), for å sikre at barnevognen fortsetter å kjøre friksjonsfritt.



Aluminiumsdelen til Day³ barnevognen er anodisert for å beskytte den mot ytre påvirkninger, som korrosjon. Anodiserte aluminiumsdeler er utsatte for sure rengjøringsmidler eller fett, som kan forårsake flekker og misfarging av aluminiumsdelen. Vi råder deg derfor til å rengjøre aluminiumsdelen til din barnevogn med varmt vann og en myk klut.

GARANTI

Joolz tilbyr livstidsgaranti på Joolz Day³. Garantien dekker alle material- og produksjonsfeil, men ikke bytte eller retur av produktet. For å være kvalifisert for livstidsgarantien, trenger du kun å registrere din Joolz barnestol på register.joolz.com innen seks måneder etter kjøpet og beholde ditt opprinnelige kjøpsbevis, inkludert kjøpsdatoen. Hvis du ikke registrerer din Joolz barnevogn innen seks måneder av kjøpet, vil du motta en to års garanti.

Garantien er bare gyldig dersom du leverer følgende elementer til forhandleren sammen med det defekte produktet:

- 1) Ditt garantibevis,
- 2) Noen form for personlig identifikasjon,
- 3) En kopi av kvitteringen for kjøpet (inkludert en kjøpsdato),
- 4) En detaljert beskrivelse av feilen.

Du vil motta garantibeviset etter at du har registrert din Joolz barnevogn på nettsiden register.joolz.com.

Hvis din forhandler ikke kan hjelpe deg med klagen din, ta kontakt med Joolz. Merk at eventuelle reparasjoner ikke forlenger garantiperioden.

GARANTIEN DEKKER IKKE:

- 1) Feil som skyldes vanlig slitasje, som slitte hjul og tekstiler ved daglig bruk, riper på aluminium og/eller metall og naturlig misfarging av materialer over tid eller ved å ikke følge vedlikeholdsinstruksjonene.
- 2) Skader på hjul som hull og flenger.
- 3) Skade forårsaket av ulykker, feilaktig bruk, uaktsomhet, brann, kontakt med væsker eller andre eksterne årsaker.
- 4) Skade som resulterer fra manglende overholdelse av bruksanvisningen, instruksjonsfilmer eller andre retningslinjer fra Joolz.
- 5) Skade forårsaket av et annet produkt, inkludert tilbehør.
- 6) Skade ved service eller reparasjon av en uoffisiell representant for Joolz.
- 7) Tyveri.
- 8) Skade under flytransport eller frakt.

Sikkerhet var en viktig faktor gjennom utviklingen av Joolz Day³-barnevognen og liggedelen. Våre produkter er oppfyllet derfor følgende sikkerhetsstandarder:

Europa: EN 1888:2012 / EN 1466:2014/AC: 2015
 USA: ASTM F833-15 / ASTM F2050-16
 Canada: SOR/2016-167
 Australia: AS/NZS2088:2013

Besøk joolz.com, facebook.com/myjoolz eller ta kontakt med din forhandler for spørsmål og/eller kommentarer.

TÄRKEÄÄ: LUE NÄMÄ OHJEET HUOLELLISESTI ENNEN KÄYTTÖÄ JA PIDÄ NE TALLELLA MYÖHEMPÄÄ TARVETTA VARTEN.

VAROITUS

- + Älä koskaan jätä lastasi ilman valvontaa.
- + Varmista, että kaikki lukituslaitteet on lukittu ennen käyttöä.
- + Vältä vammat varmistamalla, että lapsi on poissa liikkuvien osien luota, kun avaat ja taitat kokoon tätä tuotetta.
- + Älä anna lapsesi leikkiä tällä tuotteella.
- + Tämä istuinosyksikkö ei sovellu lapsille, jotka ovat alle 6 kuukauden ikäisiä.
- + Käytä aina turvajärjestelmää.
- + Tarkasta, että makuuosan, istuinosan tai turvaistuimen kiinnityslaitteet on asianmukaisesti kiinnitetty ennen käyttöä.
- + Tämä tuote ei sovellu juoksemiseen tai luistelemiseen.
- + Joolz Day³ -makuu ja istuinosayksiköt ovat yhteensopivia vain Joolz Day³ -rungon kanssa ja päinvastoin.
- + Älä käytä lisäpatjan kanssa.
- + Mikäli kuormaa kiinnitetään Joolz Day³ -rattaiden sivuille ja/tai työntöaisaan, sen vakaus voi heikentyä.
- + Joolz Day³ -makuu- tai istuinosayksiköt voivat kukin kantaa vain yhtä matkustajaa.

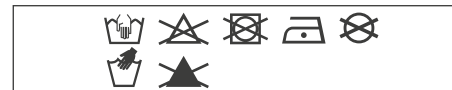
VAROITUKSET KANTOKOPALLE

- + Joolz Day³-makuuosat sopivat lapselle, joka ei osaa istua itse, kääntyä ympäri tai työntää itseään kontalleen. Lapsen suurin paino saa olla: 9 kg.
- + Tämä tuote sopii vain lapselle, joka ei osaa istua ilman apua.
- + Käytä vain kiinteällä, vaakasuuntaisella ja kuivalla pinnalla.
- + Älä anna muiden lasten leikkiä valvomatta lähellä kantokoppaa.
- + Älä käytä, jos jokin kantokopan osa on rikki, repeytynyt tai puuttuu.
- + Pidä Joolz Day³ poissa avotulesta ja muista lämmönlähteistä, kuten sähkölämmittimet, kaasulämmittimet, tms.
- + Kantokopan kahvat ja pohja on tarkistettava säännöllisesti vaurioiden tai kulumisen merkkien varalta.
- + Varmista aina, että turvakaari on asianmukaisesti kiinnitetty makuu-/istuinosayksikköön ennen käyttöä.
- + Lapsen pää makuukopassa ei saa koskaan olla vartaloa alempana.
- + Älä laita lisäpatjaa Joolzin toimittaman patjan päälle.

- + Käytä vain Joolzin hyväksymiä istuinosia, turvaistuimia, varaosia ja lisävarusteita.
- + Kun turvaistuinta käytetään yhdessä Joolz Day³ -rungon kanssa, tämä ajoneuvo ei korvaa makuuosaa tai sänkyä. Jos lapsesi on nukuttava, hänet on asetettava Joolz Day³ -rattaiden runkoon, makuosaan tai sänkyyn.
- + Älä käytä rattaista, jos jokin osista on vaurioitunut, repeytynyt tai puuttuu.
- + Käytä aina kääntöluokkaa etupyöriin, kun taitat rattaat kokoon. Tämän laiminlyönti voi johtaa renkaiden estymiseen, mikä voi aiheuttaa muodonmuutosta erityisesti kuumassa ympäristössä.
- + Jarrut on aina kytkettävä päälle, kun laitat lasta rattaisiin tai otat pois niistä.
- + Muiden kuin Joolzin toimittamia lisävarusteita ei saa käyttää.
- + Vain Joolzin toimittamia tai suosittelemia varaosia saa käyttää.
- + Tämä istuinosia on tarkoitettu lapsille 6 kuukauden iästä ylöspäin enintään 22 kg/48.5 lbs painoon saakka.

KUNNOSSAPITO-/ PESUOHJEET

Pese kangas haalealla vedellä ja saippualla. Huuhtelee puhtaalla vedellä ja anna kuivua. Älä käytä valkaisuainetta tai muita kemiallisia puhdistusaineita. Käsittele määräajoin (noin kerran kuukaudessa) pyörät ja metalliosat Teflon- tai silikonisuihkeella varmistaaksesi, että rattaasi toimivat edelleen moitteettomasti.



Day³ -rattaiden alumiiniosat on anodisoitu ulkoisilta vaikutuksilta, kuten korroosiolta, suojaamiseksi. Anodisoidut alumiiniosat ovat herkkiä happamille puhdistusaineille tai rasvalle, jotka voivat värjätä tai haalistaa alumiiniosia. Siksi suosittelemme puhdistamaan rattaasi alumiiniosat lämpimällä vedellä ja pehmeällä liinalla.

TAKUU

Joolz tarjoaa elinikäisen takuun tuotteelle Joolz Day³. Takuu kattaa kaikki materiaali- ja valmistusviat, mutta ei tuotteen vaihtoa tai palautusta. Tuotteen elinikäisen takuun saamiseksi uudet Joolz-lastenrattaasi on rekisteröitävä sivustolla register.joolz.com kuuden kuukauden kuluessa ostohetkestä ja lisäksi on säilytettävä alkuperäinen ostotosite, josta ilmenee muun muassa ostopäivä. Jos et rekisteröi Joolz-lastenrattaitasi kuuden kuukauden kuluessa ostohetkestä, sinulle myönnetään kahden vuoden takuu.

Takuu on voimassa vain, jos toimitat seuraavat kohteet myyjälle yhdessä viallisen tuotteen kanssa:

- 1) Takuutodistuksesi
- 2) Jokien henkilötodistus
- 3) Kopio ostokuitista (sisältäen ostopäiväyksen)
- 4) Yksityiskohtainen kuvaus viasta.

Saat takuutodistuksen sen jälkeen, kun olet rekisteröinyt Joolz-lastenrattaasi verkkosivustollamme register.joolz.com.

Jos myyjäsi ei pysty auttamaan sinua valitukseksi kanssa, ota yhteyttä Joolziin. Huomaa, että korjaukset eivät pidennä takuujaksoa.

TAKUU EI KATA SEURAAVIA:

- 1) Tavallisesta käytöstä ja kulumisesta aiheutuvat viat, kuten päivittäisessä käytössä kuluneet pyörät ja kankaat, naarmut alumiini- ja/tai metalliosissa sekä materiaalien luonnollinen haalistuminen ajan mittaan tai kunnossapito-ohjeiden laiminlyönnin vuoksi.
- 2) Pyörien vauriot, kuten reiät ja repeämät.
- 3) Onnettomuuksien, väärän käytön, laiminlyönnin, tulipalon, nestekontaktin tai muiden ulkoisten syiden aiheuttamat vauriot.
- 4) Käyttöohjeiden, ohjevideoiden tai muiden Joolz-ohjeistusten laiminlyönnistä aiheutuvat vauriot.
- 5) Muun tuotteen, lisävarusteet mukaan lukien, aiheuttama vaurio.
- 6) Epäviraalisen Joolz-edustajan huollon tai korjausten aiheuttama vaurio.
- 7) Varkaus.
- 8) Ilmakuljetus- tai rahtivauriot.

Turvallisuus oli tärkeä osa-alue koko Joolz Day³ -rattaiden ja -makuuosan kehittämisen ajan. Tuotteemme täyttävät siksi seuraavat turvastandardit:

Eurooppa: EN 1888:2012 / EN 1466:2014/AC: 2015
Yhdysvallat: ASTM F833-15 / ASTM F2050-16
Kanada: SOR/2016-167
Australia: AS/NZS 2088:2013

Käy sivustolla joolz.com, facebook.com/myjoolz tai ota yhteyttä myyjääsi, jos sinulla kysyttävää ja/tai huomioitavaa.

VIGTIGT: LÆS DISSE INSTRUKTIONER OMHYGGELIGT FØR BRUG, OG GEM DEM TIL FREMTIDIG REFERENCE.

⚠ ADVARSEL

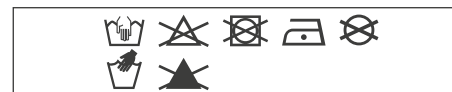
- + Lad aldrig dit barn være uden opsyn.
- + Før brug skal du sørge for, at alle låseenheder er aktiveret.
- + For at undgå skader skal du sikre, at børn holdes på afstand, når dette produkt foldes ud og foldes sammen.
- + Børn må ikke lege med dette produkt.
- + Dette sæde er ikke egnet til børn under 6 måneder.
- + Brug altid selesystemet.
- + Kontroller før brug, at monteringsenheder til barneseng, sæde eller autosæde er korrekt aktiveret.
- + Dette produkt er ikke egnet til løb eller skøjteløb.
- + Joolz Day³-barnesengen og -sædet er kun kompatible med Joolz Day³-stellet og vice versa.
- + Anvend ikke ekstra madrasser.
- + Hvis der last monteret på siderne og/eller håndtaget på Joolz Day³-klapvognen, kan stabiliteten blive påvirket.
- + Joolz Day³-barnesengen eller -sædet er kun beregnet til ét barn.
- + Anvend kun sæder, autostole, reservedele og tilbehør, der er godkendt af Joolz.
- + En autostol kombineret med Joolz Day³-stellet fungerer ikke som en barneseng eller seng. Hvis barnet har brug for at sove, bør det placeres i en Joolz Day³-klapvogn, -barneseng eller -seng.
- + Anvend ikke klapvognen, hvis der er beskadigede, ødelagte eller manglende dele.
- + Brug altid forhjulenes drejelås, når klapvognen skal foldes sammen. Hvis man ikke gør dette, kan det medføre, at dækkene kan komme i klemme og blive deforme, særligt i varme miljøer.
- + Bremserne skal altid aktiveres, når barnet sættes i eller tages ud.
- + Tilbehør, der ikke er leveret af Joolz, bør ikke bruges.
- + Der bør kun bruges reservedele, der er leveret eller anbefalet af Joolz.
- + Dette sæde er beregnet til børn fra 6 måneder og op til en maksimal vægt på 22 kg/48.5 lbs.

⚠ ADVARSLER FOR BABYLIFT

- + Dette produkt er kun egnet til børn, der endnu ikke selv kan sidde op, rulle rundt eller skubbe sig selv op på hænder og knæ. Maksimal vægt for barnet: 9 kg.
- + Dette produkt er kun egnet til børn, der ikke selv kan sidde op.
- + Må kun bruges på en fast, vandret, plan og tør overflade.
- + Andre børn må ikke lege uden opsyn i nærheden af babyliften.
- + Må ikke bruges, hvis der er beskadigede, ødelagte eller manglende dele på babyliften.
- + Hold Joolz Day³ på afstand af åben ild og andre varmekilder, som f.eks. elektriske varmeapparater, gasbrændere etc.
- + Babyliftens håndtag og bund skal kontrolleres regelmæssigt for tegn på skader og slid.
- + Før brug skal du altid sørge for, at sikkerhedsbøjlen er korrekt sat på barnesengen/sæderne.
- + Når barnet bæres i babyliften, må barnets hoved aldrig være lavere end barnets krop.
- + Læg ikke ekstra madrasser oven på den madras, der leveres af Joolz.

VEDLIGEHOLDELSE/ VASKEINSTRUKTIONER

Rens stoffet med lunkent vand og sæbe. Skyl med rent vand og lad det tørre. Brug ikke blegemidler eller kemiske rengøringsmidler. Hjulene og metaldele skal regelmæssigt (cirka én gang om måneden) behandles med Teflon- eller silikonespray, så klapvognen bliver ved med at køre problemfrit.



Aluminiumsdelene på din Day³-klapvogn er anodiserede, så de beskyttes mod ekstern påvirkning, som f.eks. rust. Anodiserede aluminiumsdele er sårbare over for syreholdige rengøringsmidler eller fedt, hvilket kan forårsage pletter og misfarvning af aluminiumsdelene. Derfor anbefaler vi dig at rengøre klapvognens aluminiumsdele med varmt vand og en blød klud.

GARANTII

Joolz tilbyder livstidsgaranti på Joolz Day³. Garantien dækker alle materiale- og produktionsfejl, men ikke ombytning eller returnering af produktet. For at være berettiget til livstidsgaranti er alt, hvad du skal gøre, at registrere din Joolz-klapvogn på register.joolz.com senest seks måneder efter købet og opbevare dit originale købsbevis, inkl. købsdato. Hvis du ikke registrerer din Joolz-klapvogn senest seks måneder efter købet, får du en to-års-garanti.

Garantien er kun gyldig, hvis du leverer følgende emner til din forhandler sammen med det defekte produkt:

- 1) Dit garantibevis,
- 2) En eller anden form for personlig identifikation,
- 3) En kopi af kvitteringen (inkl. Købsdato),
- 4) En detaljeret beskrivelse af fejlen.

Du modtager garantibeviset, når du har registreret din Joolz-klapvogn på vores websted: register.joolz.com.

Hvis forhandleren ikke kan hjælpe med klagen, så kontakt Joolz. Bemærk venligst, at eventuelle reparationer ikke forlænger garantiperioden.

GARANTIEN DÆKKER IKKE:

- 1) Fejl forårsaget af almindelig slitage såsom slidte hjul og tekstiler ved daglig brug, ridser på aluminium og/eller metal samt naturlig misfarvning af materialer over tid eller ved manglende iagttagelse af vedligeholdelsesvejledningen.
- 2) Skader på hjul som f.eks. huller og rifter.
- 3) Skader forårsaget af ulykker, ukorrekt brug, forsømmelighed, brand, kontakt med væsker eller anden udefrakommende årsag.
- 4) Skader som følge af manglende iagttagelse af brugsanvisningen, instruktionsfilmen eller andre Joolz-retningslinjer.
- 5) Skader forårsaget af et andet produkt, inkl. tilbehørsdele.
- 6) Skader i forbindelse med service eller reparation forestået af ikke-autoriserede Joolz-repræsentanter
- 7) Tyveri.
- 8) Lufttransport- eller transportskader.

Sikkerheden var i højsædet ved udviklingen af Joolz Day³-klapvogn og -babylift. Vores produkter opfylder således følgende sikkerhedsstandarder:

Europa: EN 1888:2012 / EN 1466:2014/AC: 2015
USA: ASTM F833-15 / ASTM F2050-16
Canada: SOR/2016-167
Australien: AS/NZS 2088:2013

Besøg joolz.com, facebook.com/myjoolz, eller kontakt din forhandler for eventuelle spørgsmål og/eller kommentarer.

ВАЖНО: ВНИМАТЕЛЬНО ПРОЧИТАЙТЕ ДАННУЮ ИНСТРУКЦИЮ ПЕРЕД ИСПОЛЬЗОВАНИЕМ ИЗДЕЛИЯ, И СОХРАНИТЕ ЕЕ ДЛЯ ДАЛЬНЕЙШЕГО ИСПОЛЬЗОВАНИЯ.

⚠ ПРЕДУПРЕЖДЕНИЕ

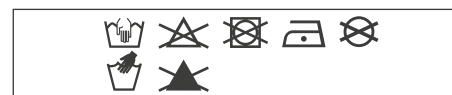
- + Никогда не оставляйте своего ребенка без присмотра.
- + Перед использованием убедитесь, что все блокировочные устройства задействованы.
- + Во избежание травм перед раскладыванием и складыванием данного изделия убедитесь, что ваш ребенок находится вдали.
- + Не позволяйте ребенку играть с данным изделием.
- + Данное сиденье не подходит для детей в возрасте до 6 месяцев.
- + Всегда используйте систему фиксации.
- + Перед использованием убедитесь, что крепежные приспособления люльки, сиденья или автокресла правильно закреплены.
- + Данное изделие не подходит для бега или катания на коньках.
- + Люлька и сиденье Joolz Day³ совместимы только с шасси Joolz Day³ и наоборот.
- + Не используйте никаких дополнительных матрасов.
- + Любой груз, прикрепленный к сторонам и / или рукоятке коляски Joolz Day³, может повлиять на ее стабильность.
- + Люлька и сиденье Joolz Day³ рассчитаны только на одного ребенка.
- + Используйте только посадочные поверхности, автокресла, запасные части и принадлежности, одобренные компанией Joolz.
- + Для автокресел в сочетании с шасси Joolz Day³, это изделие не заменяет люльку или кроватку. В случае, если вашему ребенку необходимо поспать, его нужно переместить на посадочную поверхность, люльку или кроватку Joolz Day³.
- + Не используйте коляску, если какая-либо из частей повреждена, оторвана или отсутствует.
- + Складывая коляску, всегда применяйте поворотный замок для передних колес. Несоблюдение этого правила может привести к блокировке шин, что, в свою очередь, приведет к деформации, особенно в условиях жаркого климата.
- + Тормозной блок всегда должен быть задействован при складывании и вынимании ребенка.
- + Не используйте аксессуары, не предусмотренные Joolz.
- + Следует использовать только запасные части, поставляемые или рекомендованные Joolz.
- + Данное сиденье предназначено для детей в возрасте от 6 месяцев с максимальным весом до 15 кг.

⚠ ПРЕДУПРЕЖДЕНИЯ ЛЮЛЬКА

- + Данное изделие предназначено только для детей, которые не могут сидеть без посторонней помощи, ползать, а также отталкиваться на руках и коленях. Максимальный вес ребенка: 9 кг.
- + Данное изделие предназначено только для детей, которые не могут сидеть без посторонней помощи.
- + Использовать только на твердой, горизонтальной и сухой поверхности.
- + Не позволяйте другим детям играть без присмотра рядом с люлькой.
- + Не используйте, если какая-либо часть люльки поломана, оторвана или отсутствует.
- + Храните Joolz Day³ вдали от открытого огня и других источников тепла, таких как электрические нагреватели, газовые плиты и т.д.
- + Рукоятки и дно люльки следует регулярно проверять на наличие повреждений и износа.
- + Перед использованием всегда убеждайтесь в том, что буферный брус правильно соединен с люлькой / сиденьем.
- + В люльке голова ребенка никогда не должна быть расположена ниже его тела.
- + Не кладите дополнительный матрас на матрас, предоставленный компанией Joolz.

ТКАНЬ НЕОБХОДИМО ОЧИЩАТЬ ТЕПЛОЙ ВОДОЙ С МЫЛОМ.

Ополосните чистой водой и оставьте до полного высыхания. Никогда не используйте отбеливатель или другие химические моющие средства. Периодически (примерно раз в месяц) обрабатывайте колеса и металлические детали тефлоновой или силиконовой смазкой для обеспечения бесперебойной и продолжительной службы коляски.



Алюминиевые части коляски Day³ анодированы, чтобы защитить ее от внешних воздействий, таких как коррозия. Анодированные алюминиевые части уязвимы к кислотным моющим средствам и смазкам, которые могут вызвать появление пятен и изменение цвета алюминиевых деталей. Поэтому мы рекомендуем очищать алюминиевые части коляски при помощи теплой воды и мягкой ткани.

ГАРАНТИЯ

Joolz предлагает бессрочную гарантию на коляски коллекции Joolz Day³. Гарантия распространяется на дефекты производства и материалов, а не на обмен или возврат изделия. Чтобы получить право на бессрочную гарантию, вам нужно всего лишь зарегистрировать свою коляску Joolz на сайте register.joolz.com в течение шести месяцев с момента покупки и сохранить подтверждение покупки с указанием ее даты. Если коляска Joolz не будет зарегистрирована в течение шести месяцев с момента покупки, вы получите двухгодичную гарантию.

Гарантия действительна, только если клиент предоставит поставщику вместе с неисправным изделием следующие документы:

- 1) Гарантийный сертификат,
- 2) Удостоверение личности,
- 3) Копию чека (с указанием даты покупки),
- 4) Подробное описание дефекта.

Вы получите гарантийный сертификат после того, как зарегистрируете свою коляску Joolz на нашем веб-сайте register.joolz.com.

Если продавец не может помочь вам в решении вашего вопроса, обратитесь в компанию Joolz. Учтите, что ремонт не является основанием для продления гарантийного срока.

ГАРАНТИЯ НЕ РАСПРОСТРАНЯЕТСЯ НА:

- 1) Дефекты, вызванные естественным износом, например стертые в ходе ежедневного использования колеса и потертую ткань, царапины на алюминии и (или) металле и естественное изменение цвета материалов с течением времени или в результате несоблюдения инструкций по техническому обслуживанию;
- 2) Повреждения колес, такие как дыры и разрывы;
- 3) Повреждения, вызванные авариями, ненадлежащим использованием, халатностью, огнем, контактом с жидкостями или другой внешней причиной;
- 4) Повреждения в результате несоблюдения руководства по эксплуатации, обучающих видеороликов или других инструкций joolz;
- 5) Повреждения, вызванные другим продуктом, в том числе принадлежностями;
- 6) Повреждения в результате сервисного обслуживания или ремонта у неофициального представителя joolz;
- 7) Кражу;
- 8) Повреждения, полученные при перевозке.

воздушным или иным транспортом. Безопасность играет важную роль в процессе разработки коляски и люльки Joolz Day³. Наши продукты соответствуют следующим стандартам безопасности:

Европа: EN 1888:2012 / EN 1466:2014/AC: 2015
Соединенные Штаты: ASTM F833-15 / ASTM F2050-16
Канада: SOR/2016-167
Австралия: AS/NZS 2088:2013

Посетите my-joolz.com, facebook.com/myjoolz или обратитесь к продавцу, чтобы решить какой-либо вопрос и (или) поделиться своим мнением.

WAŻNE: ZAPOZNAJ SIĘ Z NINIEJSZĄ INSTRUKCJĄ I ZACHOWAJ JĄ W CELU UŻYCIA W PRZYSZŁOŚCI.

⚠️ OSTRZEŻENIE

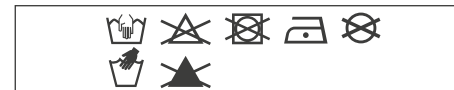
- + Nigdy nie zostawiaj dziecka bez opieki.
- + Przed rozpoczęciem użytkowania sprawdź, czy wszystkie zamocowania zostały założone prawidłowo.
- + W celu uniknięcia obrażeń dziecko nie powinno znajdować w foteliku podczas jego składania i rozkładania.
- + Dziecko nie powinno bawić się fotelikiem.
- + Ten fotelik nie jest odpowiedni dla dzieci w wieku poniżej 6 miesięcy.
- + Zawsze należy używać systemu zabezpieczającego.
- + Przed użyciem sprawdzić, czy pasy mocujące gondolę, siedzisko lub fotelik samochodowy są odpowiednio zapięte.
- + Ten produkt nie jest odpowiedni do biegania ani do jazdy na rolkach.
- + Gondola i fotelik samochodowy Joolz Day³ pasują jedynie do podstawy fotelika Joolz Day³ i odwrotnie.
- + Nie wkładaj dodatkowego materaca.
- + Każde obciążenie zamocowane do boków i/lub uchwytu wózka spacerowego Joolz Day³ może mieć wpływ na jego stabilność.
- + Gondola i fotelik Joolz Day³ są przeznaczone dla jednego pasażera.
- + Należy stosować tylko dozwolone przez Joolz siedziska, fotele samochodowe, części zamienne i akcesoria.
- + Siedzisko samochodowe wraz z podwoziem Joolz Day³ nie zastępuje gondoli lub łóżeczka. Jeżeli dziecko chce spać, należy je włożyć do wózka spacerowego, gondoli lub łóżeczka wyprodukowanego przez Joolz Day³.
- + Nie należy używać wózka spacerowego, jeżeli jakiegokolwiek jego części są uszkodzone, podarte lub zaginęły.
- + Składając wózek, należy zawsze zabezpieczać przednie koła blokadą obrotową. W przeciwnym razie opony kół mogą ulec odkształceniu, szczególnie w wysokich temperaturach.
- + Podczas wkładania dziecka do wózka lub wyciągania go należy zawsze zaciągnąć hamulce.
- + Nie należy stosować akcesoriów innych producentów.
- + Wolno stosować jedynie części zapasowe dostarczone lub zalecane przez firmę Joolz.
- + Ten fotelik jest przeznaczony dla dzieci w wieku od 6 miesięcy o wadze nieprzekraczającej 22 kg/48.5 lbs.

⚠️ OSTRZEŻENIA DOTYCZĄCE GONDOLI

- + Dette produkt er kun egnet til børn, der endnu ikke selv kan sidde op, rulle rundt eller skubbe sig selv op på hænder og knæ. Maksimal vægt for barnet: 9 kg.
- + Dette produkt er kun egnet til børn, der ikke selv kan sidde op.
- + Må kun bruges på en fast, vandret, plan og tør overflade.
- + Andre børn må ikke lege uden opsyn i nærheden af babyliften.
- + Må ikke bruges, hvis der er beskadigede, ødelagte eller manglende dele på babyliften.
- + Hold Joolz Day³ på afstand af åben ild og andre varmekilder, som f.eks. elektriske varmeapparater, gasbrændere etc.
- + Babyliften håndtag og bund skal kontrolleres regelmæssigt for tegn på skader og slid.
- + Før brug skal du altid sørge for, at sikkerhedsbøjlen er korrekt sat på barnesengen/sæderne.
- + Når barnet bæres i babyliften, må barnets hoved aldrig være lavere end barnets krop.
- + Læg ikke ekstra madrasser oven på den madras, der leveres af Joolz.

INSTRUKCJA KONSERWACJI/ CZYSZCZENIA

Czyścić materiał letnią wodą z mydłem. Przepłukać wodą i pozostawić do wyschnięcia. Nie wolno stosować wybielaczy ani innych chemicznych detergentów. Okresowo (w przybliżeniu raz na miesiąc) smarować koła i metalowe części teflonem lub silikonem w sprayu, by wózek poruszał się płynnie.



Aluminiowe części wózka spacerowego Day³ są anodowane, co chroni je przed wpływem czynników zewnętrznych, np. korozją. Anodowane części są podatne na działanie kwasowych środków czyszczących lub smaru, które mogą spowodować plamy i odbarwienie aluminiowych części. Z tego względu zalecamy czyszczenie aluminiowych części wózka ciepłą wodą z mydłem i miękką szmatką.

GWARANCJA

Joolz udziela dożywotniej gwarancji na wózek Joolz Day³. Gwarancja obejmuje naprawę wad materiałowych i produkcyjnych, jednak produkt nie podlega wymianie ani zwrotowi. Aby skorzystać z dożywotniej gwarancji, wystarczy zarejestrować wózek spacerowy Joolz na stronie register.joolz.com w ciągu sześciu miesięcy od daty zakupu i zachować oryginalny dowód zakupu zawierający datę zakupu. Na wózek Joolz niezarejestrowane w ciągu sześciu miesięcy od daty zakupu udzielamy dwuletniej gwarancji.

Gwarancja jest ważna wyłącznie pod warunkiem przekazania sprzedawcy wraz z wadliwym produktem:

- 1) Świadectwa gwarancji,
- 2) Kopii dowolnego dokumentu tożsamości,
- 3) Kopii dowodu zakupu (zawierającego datę zakupu),
- 4) Szczegółowego opisu wady.

Świadectwo gwarancji otrzymuje się po zarejestrowaniu wózka Joolz na naszej stronie internetowej register.joolz.com.

Jeżeli sprzedawca nie udzieli pomocy przy reklamacji, należy skontaktować się z Joolz. Zwracamy uwagę, że jakiegokolwiek naprawy nie skutkują przedłużeniem okresu gwarancji.

GWARANCJA NIE OBEJMUJE:

- 1) Uszerek spowodowanych zwykłym zużyciem, takim jak zużycie kół i tkanin wynikające z codziennego użytkowania, rys na elementach aluminiowych i/lub metalowych oraz naturalnych odbarwień materiałów spowodowanych upływem czasu lub nieprzestrzeganiem instrukcji konserwacji;
- 2) Uszkodzeń kół, takich jak dziury i rozdarcia;
- 3) Uszkodzeń spowodowanych przez wypadki, nieprawidłowe użytkowanie, zaniedbanie, ogień, kontakt z płynami lub inne czynniki zewnętrzne;
- 4) Uszkodzeń wynikających z niestosowania się do instrukcji obsługi, filmów instruktażowych lub innych wytycznych joolz;
- 5) Uszkodzeń spowodowanych przez inny produkt, w tym akcesoria;
- 6) Uszkodzeń spowodowanych przez naprawę w nieautoryzowanym serwisie joolz;
- 7) Kradzieży;
- 8) Transportu lotniczego lub uszkodzenia podczas transportu.

Bezpieczeństwo było ważnym czynnikiem brany pod uwagę w procesie projektowania i produkcji wózka spacerowego i gondoli Joolz Day³. Nasze produkty spełniają następujące normy jakości:

Europa: EN 1888:2012 / EN 1466:2014/AC: 2015
 Stany Zjednoczone: ASTM F833-15 / ASTM F2050-16
 Kanada: SOR/2016-167
 Australia: AS/NZS 2088:2013

W celu uzyskania odpowiedzi na pytania oraz przekazania uwag, odwiedź naszą stronę internetową joolz.com, facebook.com/myjoolz lub skontaktuj się ze sprzedawcą produktu.

ВАЖЛИВО: УВАЖНО ПРОЧИТАЙТЕ ЦЮ ІНСТРУКЦІЮ ПЕРЕД ПОЧАТКОМ КОРИСТУВАННЯ ВИРОБОМ ТА ЗБЕРЕЖІТЬ ЇЇ ДЛЯ ПОДАЛЬШОГО ВИКОРИСТАННЯ.

⚠ ПОПЕРЕДЖЕННЯ

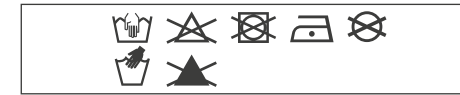
- + Ніколи не залишайте свою дитину без нагляду.
- + Перед використанням переконайтеся, що всі блокувальні механізми задіяні.
- + Щоб запобігти травмам, перед розкладанням і складанням даного виробу переконайтеся, що ваша дитина знаходиться віддалік.
- + Не дозволяйте дитині грати з даним виробом.
- + Це сидіння не підходить для дітей у віці до 6 місяців.
- + Завжди використовуйте систему фіксації.
- + Перед використанням переконайтеся, що кріпильні пристосування люльки, сидіння або автокрісла правильно закріплені.
- + Цей виріб не підходить для бігу або катання на ковзанах.
- + Люлька і сидіння Joolz Day³ сумісні тільки з шасі Joolz Day³ і навпаки.
- + Не використовуйте ніяких додаткових матраців.
- + Будь-який вантаж, прикріплений до сторін та / або рукоятки коляски Joolz Day³ може вплинути на її стабільність.
- + Люлька і сидіння Joolz Day³ розраховані тільки на одну дитину.
- + Використовуйте тільки посадочні поверхні, автокрісла, запасні частини та аксесуари, схвалені компанією Joolz.
- + Для автокрісел в поєднанні з шасі Joolz Day³ цей виріб не замінює люльку або ліжечко. У разі якщо вашій дитині необхідно поспати, її потрібно перемістити на посадочну поверхню, люльку або ліжечко Joolz Day³.
- + Не використовуйте коляску, якщо будь-яка з частин пошкоджена, відірвана або відсутня.
- + Під час складання коляски завжди застосовуйте поворотний замок для передніх коліс. Недотримання цього правила може призвести до блокування шин, що, в свою чергу, призведе до деформації, особливо в умовах жаркого клімату.
- + Гальмівний блок завжди повинен бути задіяний при вкляданні і вийманні дитини.
- + Не використовуйте аксесуари, не передбачені Joolz.
- + Слід використовувати запасні частини, що поставляються або рекомендовані Joolz.
- + Це сидіння призначене для дітей віком від 6 місяців з максимальною вагою до 15 кг.

⚠ ПОПЕРЕДЖЕННЯ ЛЮЛЬКА

- + Зберігайте Joolz Day³ вдалині від відкритого вогню та інших джерел тепла, таких як електричні нагрівачі, газові плити і т.п.
- + Рукоятки та дно люльки слід регулярно перевіряти на наявність пошкоджень та зносу.
- + Перед використанням завжди переконайтеся в тому, що буферний брус правильно з'єднаний з люлькою / сидінням.
- + У люльці голова дитини ніколи не повинна бути розташована нижче її тіла.
- + Не кладіть додатковий матрац на матрац, наданий компанією Joolz.
- + Цей виріб призначений лише для дітей, які не можуть сидіти без сторонньої допомоги, повзати, а також відштовхуватися на руках та колінах. Максимальна вага дитини: 9 кг.
- + Цей виріб призначений тільки для дітей, які не можуть сидіти без сторонньої допомоги.
- + Використовувати тільки на твердій, горизонтальній і сухій поверхні.
- + Не дозволяйте іншим дітям грати без нагляду поруч з люлькою.
- + Не використовуйте, якщо будь-яка частина люльки поламана, відірвана або відсутня.

ІНСТРУКЦІЯ З ТЕХНІЧНОГО ОБСЛУГОВУВАННЯ / ЧИЩЕННЯ

Тканину необхідно очищати теплою водою з милом. Ополіскуйте чистою водою і залишайте до повного висихання. Ніколи не використовуйте відбілювач або інші хімічні мийні засоби. Періодично (приблизно раз на місяць) обробляйте колеса і металеві деталі тефлоновою або силіконовою змазкою для забезпечення безперебійної та тривалої служби коляски.



Алюмінієві деталі коляски Day³ анодовані, щоб захистити її від зовнішніх впливів, таких як корозія. Анодовані алюмінієві частини уразливі до кислотних мийних засобів і змащення, які можуть викликати появу плям і зміну кольору алюмінієвих деталей. Тому ми рекомендуємо очищати алюмінієві частини коляски за допомогою теплої води і м'якої тканини.

ГАРАНТІЯ

Компанія Joolz пропонує довічну гарантію на продукти Joolz Day³. Гарантія поширюється на всі матеріальні та виробничі дефекти, але не передбачає обмін або повернення продукту. Щоб отримати право на безстрокову гарантію, вам потрібно всього лише зареєструвати свій дитячий складаний візок Joolz на сайті register.joolz.com протягом шести місяців з моменту покупки і зберегти квитанцію, а що підтверджує покупку, із зазначенням її дати. Якщо ви не зареєструєте ваш дитячий складаний візок Joolz протягом шести місяців після покупки, ви отримаєте дворічну гарантію.

Ця гарантія дійсна лише у випадку, якщо ви надаєте продавцю наступні речі разом з дефектним продуктом:

- 1) Ваш гарантійний сертифікат;
- 2) Будь-який документ ідентифікації особи;
- 3) Копію квитанції про покупку (із зазначенням дати покупки);
- 4) Докладний опис дефекту.

Ви отримаєте гарантійний сертифікат після того, як зареєструєте ваш дитячий складаний візок Joolz на нашому веб-сайті register.joolz.com. Ви отримаєте цей сертифікат після того, як зареєструєте свій складний дитячий візок Joolz на нашому веб-сайті.

Якщо роздрібний продавець не може задовольнити вашу претензію, зверніться в компанію Joolz. Зверніть увагу, що будь-який ремонт не продовжує гарантійний термін.

ГАРАНТІЯ НЕ ПОШИРЮЄТЬСЯ НА:

- 1) Дефекти, викликані природним зносом, наприклад, стиранням коліс і тканини в ході щоденного використання, подряпини на алюмінієвих та (або) металевих поверхнях, а також природне знебарвлення матеріалів з плином часу або в результаті недотримання інструкцій з технічного обслуговування.
- 2) Пошкодження коліс, такі як дірки і розриви.
- 3) Пошкодження, викликані аваріями, неналежним використанням, недбалістю, вогнем, контактом з рідинами або іншою зовнішньою причиною.
- 4) Пошкодження в результаті недотримання керівництва із експлуатації, навчальних відеороликів або інших інструкцій Joolz.
- 5) Пошкодження, викликані іншим продуктом, в тому числі аксесуарами.
- 6) Пошкодження в результаті сервісного обслуговування або ремонту у неофіційного представника Joolz.
- 7) Крадіжку.
- 8) Пошкодження, отримані під час перевезення повітряним або іншим транспортом.

Безпека була важливим аспектом під час розробки дитячого складаного візка та дитячої люльки Joolz Day³. Тому наші продукти відповідають таким стандартам безпеки:

Європа: EN 1888:2012 / EN 1466:2014/AC: 2015
Сполучені Штати: ASTM F833-15 / ASTM F2050-16
Канада: SOR/2016-167
Австралія: AS/NZS 2088:2013

У випадку будь-яких питань та (або) коментарів відвідайте веб-сайт joolz.com, [facebook.com/mjoolz](https://www.facebook.com/mjoolz) або зв'яжіться з продавцем.

TÄHTIS! ENNE KASUTAMIST LUGEGE NEED SUUNISED HOOLIKALT LÄBI JA HOIDKE EDASPIDI KASUTAMISEKS ALLES.

⚠ HOIATUS

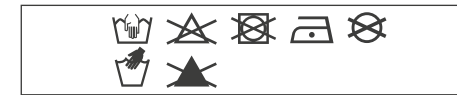
- + Ärge jätke oma last kunagi järelevalveta.
- + Veenduge enne kasutamist, et kõik lukustusvahendid oleksid rakendatud.
- + Vigastuste vältimiseks veenduge, et lapsed oleksid toote reguleerimisel, lahtiõmbamisel ja kokkupanekul eemal.
- + Ärge lubage lastel selle tootega mängida.
- + See iste ei sobi lastele vanuses alla 6 kuu.
- + Kasutage alati kinnitussüsteemi.
- + Kontrollige enne kasutamist, kas kookoni, istme või turvatooli kinnituseadmed on korralikult kinnitatud.
- + See toode ei sobi jooksmiseks ega rulluisutamiseks.
- + Joolz Day³ kookonid ja istmed ühilduvad ainult Joolz Day³ raamiga ja vastupidi.
- + Ärge kasutage lisamadratsit.
- + Igasugune Joolz Day³ jalutuskäru külgedele ja/või sangale asetatud raskus võib mõjutada selle stabiilsust.
- + Joolz Day³ kookonisse või istmele tohib panna ainult ühe lapse.
- + Kasutage ainult Joolzi heakskiiduga istmeid, turvatooli, varuosi ja tarvikuid.
- + Joolz Day³ raamiga kasutatav turvatool ei asenda kookonit ega korvi. Magamise ajaks tuleb laps panna kindlasti Joolz Day³ jalutuskäru raamil olevasse kookonisse või korvi.
- + Ärge kasutage jalutuskäru, kui mõni selle osa on kahjustunud, liigselt kulunud või puudu.
- + Jalutuskäru kokkupanekul rakendage alati esirastate pööramislukku. Muidu võite tekitada rehvide takistuse, mis põhjustab nende deformeerumist, eriti soojas keskkonnas.
- + Lapse kärusse asetamisel ja sealt väljavõtmisel peavad pidurid olema alati rakendatud.
- + Muude tootjate kui Joolzi tarvikuid ei tohi kasutada.
- + Kasutada tuleb ainult Joolzi tarnitud või soovitatud varuosi.
- + See iste on mõeldud alates 6 kuu vanustele ja kuni 22 kg/48.5 lbs kaaluvatele lastele.

⚠ HOIATUSED KOOKON

- + Joolz Day³ kookon sobib lastele, kes veel ei istu, pööra ega tõsta end kätele ega põlvedele. Lapse maksimaalne kehakaal: 9 kg.
- + See toode sobib ainult lastele, kes ei oska ilma abita istuda.
- + Kasutage ainult tugeval ja horisontaalsel kuival tasapinnal.
- + Ärge lubage teistel lastel kookoni lähedal järelevalveta mängida.
- + Ärge kasutage kookonit, kui mõni selle osa on katki, liigselt kulunud või puudu.
- + Hoidke Joolz Day³ eemal lahtisest tulest ja muudest soojusallikatest, nagu elektriküttekehad, gaasikaminad jne.
- + Kookoni sängu ja põhja tuleb sageli kontrollida kahjustuste ja kulumise suhtes.
- + Enne kasutamist veenduge alati, et turvakaar oleks korralikult kookoni/istme külge kinnitatud.
- + Kookonis oleva lapse pea ei tohi olla kehast kunagi madalamal.
- + Ärge pange Joolzi madratsile lisamadratsit.

HOOLDUS-/PESEMISSUUNISED

Peske katteriiet leige vee ja seebiga. Loputage puhta veega ja jätke kuivama. Ärge kasutage kunagi pleegiteid ega muid keemilisi puhastusvahendeid. Pihustage ratastele ja metallosadele regulaarselt (umbes kord kuus) teflon- või silikoonpihust, et tagada jalutuskäru sujuv liikumine.



Teie Day³ jalutuskäru alumiiniumosad on anodeeritud, et kaitsta neid väliste mõjude eest, näiteks korrosioon. Happelised puhastusvahendid või määrded võivad anodeeritud alumiiniumosi kahjustada, põhjustades neile plekkide teket ja värvimuutust. Seetõttu soovime puhastada jalutuskäru alumiiniumosi sooja vee ja pehme lapiga.

GARANTII

Joolz annab Joolz Day³ toodetele eluaegse garantii. Garantii alla kuuluvad kõik materjali- ja tootmisvead, kuid garantii alla ei kuulu toote vahetamine ega tagastamine. Eluaegse garantii saamiseks registreerige Joolzist ostetud käru kuue kuu jooksul alates ostukuupäevast veebilehel register.joolz.com ja hoidke alles ostu tõendav originaaldokument, millel on ostukuupäev. Kui te ei registreeri Joolzist ostetud käru kuue kuu jooksul alates ostukuupäevast, tagatakse teie tootele kaheaastane garantii.

Garantii kehtib ainult juhul, kui annate edasimüüjale koos defektse tootega järgmised dokumendid:

- 1) Garantiiõend;
- 2) Isikut tõendav dokument;
- 3) Ostu tõendava dokumendi koopia (millel on ostukuupäev);
- 4) Defekti detailne kirjeldus.

Kui olete Joolzi käru registreerinud meie veebilehel register.joolz.com, edastatakse teile garantiiõend.

Kui edasimüüja ei saa teid kaebuse juures aidata, võtke ühendust Joolziga. Pidage meeles, et toote parandamine ei pikenda garantiiperioodi.

GARANTII EI KATA:

- 1) tavapärasest kulumisest tulenevaid defekte, näiteks igapäevase kasutamise tagajärjel kulunud rattad ja kangad, alumiiniumil ja/või metallil olevad kriimustused, materjalide loomulik pleekimine aja jooksul või hooldusjuhiste eiramine;
- 2) rataste kahjustused, nt augud ja rebendid;
- 3) kahjustused, mis on tingitud õnnetustest, valesti kasutamisest, hooletusest, tulest, kokkupuutest vedelikega või mõnest muust välisest põhjusest;
- 4) kahjustus, mis tuleneb juhendi nõuete, õppevideotes näidatud või muude Joolzi juhiste eiramisest;
- 5) mõne muu toote (k.a tarvikute) põhjustatud kahjustus;
- 6) Joolzi valitamata esindaja põhjustatud kahjustus toote hooldamisel või parandamisel;
- 7) vargus;
- 8) kahjustus õhustranspordil või vedamise ajal.

Joolz Day³ käru ja võrevoodi väljatöötamisel oli kogu protsessi keskseks ja tähtsaimaks teguriks ohutus. Seetõttu vastavad meie tooted allolevatele standarditele:

Euroopa: EN 1888:2012 / EN 1466:2014/AC: 2015
 Ameerika Ühendriigid: ASTM F833-15 / ASTM F2050-16
 Kanada: SOR/2016-167
 Austraalia: AS/NZS 2088:2013

Küsimuste ja/või märkuste korral külastage veebilehti joolz.com, [facebook.com/myjoolz](https://www.facebook.com/myjoolz) või võtke ühendust edasimüüjaga.

SVARĪGI! PIRMS IERĪCES LIETOŠANAS RŪPĪGI IZLASIET ŠĪS INSTRUKCIJAS UN SAGLABĀJIET TĀS TURPMĀKAI UZZIŅAI.

⚠ BRĪDINĀJUMS

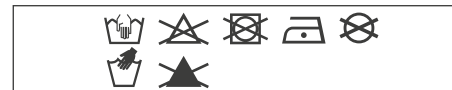
- + Nekad neatstājiet bērnu bez uzraudzības.
- + Pirms lietošanas pārlicinieties, vai visas fiksācijas ierīces ir saslēgtas.
- + Lai izvairītos no traumām, nodrošiniet, lai šī izstrādājuma regulēšanas, atlocīšanas un salocīšanas laikā bērns neatrastos tā tuvumā.
- + Neļaujiet bērnam spēlēties ar šo izstrādājumu.
- + Šis sēdekļa bloks nav piemērots bērniem, kas jaunāki par 6 mēnešiem.
- + Vienmēr izmantojiet ierobežotājsistēmu.
- + Pirms lietošanas pārbaudiet, vai gultiņas, sēdekļa vai bērnu autosēdekļa bloka stiprinājuma ierīces ir pareizi saslēgtas.
- + Šis izstrādājums nav piemērots skriešanai vai slidošanai.
- + Joolz Day³ gultiņa un sēdekļa bloki ir saderīgi tikai ar Joolz Day³ korpusu un otrādi.
- + Neizmantojiet papildu matraci.
- + Jebkura Joolz Day³ bērnu ratiņu sānos un/vai pie roktura piestiprināta krava var ietekmēt to stabilitāti.
- + Joolz Day³ gultiņā vai sēdekļa blokā var pārvadāt tikai vienu pasažieri.
- + Izmantojiet tikai Joolz apstiprinātus sēdekļus, bērnu autosēdekļus, rezerves daļas un piederumus.
- + Bērnu autosēdekļi, ko izmanto kopā ar Joolz Day³ šasiju, neaizstāj gultiņu vai gultu. Ja bērnam ir laiks gulēt, guldiet viņu Joolz Day³ ratiņos, gultiņā vai gultā.
- + Neizmantojiet bērnu ratiņus, ja kāda to daļa ir bojāta, saplūsusī vai pazudusi.
- + Salokot bērnu ratiņus, priekšējiem riteņiem vienmēr izmantojiet pagriežamo bloķētāju. Pretējā gadījumā var notikt riepu nosprostošanās, kas savukārt izraisa deformāciju, it īpaši karstā vidē.
- + Ieliekot un izņemot bērnu, bremzēm vienmēr jābūt ieslēgtām.
- + Neizmantojiet piederumus, kurus nav nodrošinājis Joolz.
- + Izmantojiet tikai Joolz nodrošinātās vai ieteiktās rezerves daļas.
- + Šis sēdekļis ir paredzēts bērniem, sākot no 6 mēnešu vecuma, ar svaru līdz 22 kg/48.5 lbs.

⚠ BRĪDINĀJUMI PAR PĀRNĒSĀJAMO GULTIŅU

- + Joolz Day³ gultiņa ir piemērota bērnam, kurš nevar patstāvīgi apsēsties, apvelties vai nostāties četrpēdus. Bērna maksimālais svars: 9 kg.
- + Šis izstrādājums ir piemērots tikai bērnam, kurš nevar patstāvīgi apsēsties.
- + Izmantojiet tikai uz stingras, horizontālas, līdzenas un sausas virsmas.
- + Neļaujiet citiem bērniem bez uzraudzības spēlēties pie pārnēsājamās gultiņas.
- + Nelietojiet, ja kāda pārnēsājamās gultiņas daļa ir salūzusī, saplūsusī vai pazudusi.
- + Nenovietojiet Joolz Day³ atklātas uguns un citu karstuma avotu, piemēram, elektrisko stieņveida sildītāju vai gāzes liesmas tuvumā.
- + Regulāri pārbaudiet, vai pārnēsājamās gultiņas rokturiem un apakšdaļai nav bojājumu un nolietojuma pazīmju.
- + Pirms lietošanas vienmēr pārlicinieties, vai bufera stienis ir pareizi savienots ar gultiņu/sēdekļa blokiem.
- + Bērna galva pārnēsājamajā gultiņā nekad nedrīkst atrasties zemāk kā bērna ķermenī.
- + Nelieciet papildu matraci uz Joolz nodrošinātā matrača.

INSTRUKCIJAS PAR APKOPI/MAZGĀŠANU

Audumu tīriet ar remdenu ūdeni un ziepēm. Noskalojiet ar ūdeni un atstājiet nožūt. Nekad nelietojiet balinātāju vai citus ķīmiskus mazgāšanas līdzekļus. Riteņus un metāla daļas regulāri (apmēram reizi mēnesī) notīriet ar teflona vai silikona aerosolu, lai bērnu ratiņi pastāvīgi darbotos nevainojami.



Day³ bērnu ratiņi ir anodēti aizsardzībai pret ārēju ietekmi, piemēram, koroziju. Anodētās alumīnija daļas ir jutīgas pret skābu tīrīšanas līdzekļu vai smērvielu iedarbību, kas var veidot traipus uz alumīnija daļām un izraisīt to krāsas maiņu. Tāpēc bērnu ratiņu alumīnija daļas ieteicams tīrīt ar siltu ūdeni un mikstu drānu.

GARANTĪJA

Joolz piedāvā Joolz Day³ mūža garantiju. Garantija aptver visus materiālos un ražošanas defektus, bet ne izstrādājuma apmaiņu vai atgriešanu. Lai iegūtu tiesības uz mūža garantiju, atliek tikai reģistrēt savus Joolz bērnu ratiņus vietnē register.joolz.com sešu mēnešu laikā kopš iegādes un saglabāt oriģinālo pirkuma apliecinājumu, kas iekļauj pirkuma datumu. Ja Joolz bērnu ratiņus neesat reģistrējis sešu mēnešu laikā kopš iegādes, saņemsiet divu gadu garantiju.

Garantija ir spēkā tikai tad, ja kopā ar bojāto izstrādājumu tiek iesniegts:

- 1) Jūsu garantijas sertifikāts,
- 2) Jebkāda veida personas identifikācijas dokuments,
- 2) Pirkuma čeka kopija (iekļaujot pirkuma datumu),
- 3) Defekta detalizēts apraksts.

Jūs saņemsiet garantijas sertifikātu pēc savu Joolz bērnu ratiņu reģistrēšanas mūsu tīmekļa vietnē register.joolz.com.

Ja mazumtirgotājs jūsu pretenzijas gadījumā nevar palīdzēt, sazinieties ar Joolz. Lūdzu, ņemiet vērā, ka neviens remonts nepārsniedz garantijas periodu.

GARANTĪJA NEATTIECAS UZ:

- 1) Parasta nolietojuma un nodiluma izraisītiem defektiem, piemēram, ikdienas lietošanā nodilušiem riteņiem un audumu, skrāpējumiem uz alumīnija un/vai metāla materiāla dabisko krāsas maiņu laika gaitā, vai defektiem, kas radušies apkopes instrukciju neievērošanas rezultātā.
- 2) Riteņu bojājumiem, piemēram, caurumiem un plīsumiem.
- 3) Bojājumiem, ko izraisījuši negadījumi, nepareiza izmantošana, nevērība, degšana, saskare ar šķidrumiem vai cits ārējs cēlonis.
- 4) Bojājumiem, ko izraisījuši lietošanas pamācībā, instrukciju video vai citās Joolz vadlīnijās ietverta norādījumu neievērošana.
- 5) Cita produkta, tostarp piederumu, izraisīti bojājumi.
- 6) Joolz neoficiāla pārstāvja veiktas apkopes vai remonta izraisīti bojājumi.
- 7) Zādzība.
- 8) Gaisa transporta vai kravu pārvadājumu izraisīti bojājumi.

Drošība ir svarīgs apsvērums visā Joolz Day³ bērnu ratiņu un gultiņu izstrādes laikā. Tāpēc mūsu produktu izstrādē ir ievēroti augstākie drošības standarti:

Eiropas standarti:

EN 1888:2012 / EN 1466:2014/AC: 2015

Amerikas Savienoto Valstu standarti:

ASTM F833-15 / ASTM F2050-16

Kanādas standarti: SOR/2016-167

Austrālijas standarti: AS/NZS 2088:2013

Ja jums ir jautājumi un/vai komentāri, lūdzu, apmeklējiet vietni joolz.com, facebook.com/myjoolz vai sazinieties ar mazumtirgotāju.

SVARBU: PRIEŠ NAUDODAMI PRODUKTĄ ATIDŽIAI PERSKAITYKITE ŠIAS INSTRUKCIJAS IR IŠSAUGOKITE JAS ATEIČIAI.

⚠️ ĮSPĖJIMAS

- + niekada nepalikite vaiko be priežiūros.
- + prieš pradėdami naudoti įsitikinkite, kad užfiksuoti visi fiksavimo prietaisai.
- + kad išvengtumėte sužalojimo, įsitikinkite, kad kai reguliuojate, sulankstote arba išlankstote produktą, vaikas yra atokiau.
- + neleiskite vaikui žaisti su produktu.
- + ši kėdutė netinka jaunesniems negu 6 mėnesių vaikams.
- + visada naudokite tvirtinimo sistemą.
- + prieš pradėdami naudoti patikrinkite, ar lopšys, kėdutė arba automobilinės kėdutės priedai tinkamai užfiksuoti.
- + šis produktas netinka bėgiojant arba čiuožinėjant.
- + „Joolz Day³“ lopšys ir kėdutė suderinami tik su „Joolz Day³“ važiukle ir atvirkščiai.
- + nenaudokite papildomo čiužinio.
- + bet kokia apkrova, pritvirtinta prie „Joolz Day³“ šonų ir (arba) rankenos gali turėti poveikį jo stabilumui.
- + tiek „Joolz Day³“ lopšys, tiek kėdutė gali atlaikyti tik vieną keleivį.

⚠️ ĮSPĖJIMAI DĖL NEŠIOJAMOJO LOPŠIO

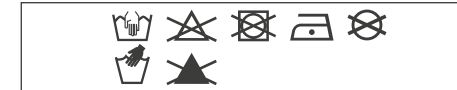
- + „Joolz Day³“ lopšys tinka vaikui, kuris negali pats atsistoti, apsisverti arba atsikelti ant rankų ar kelių. Didžiausias vaiko svoris: 9 kg
- + šis produktas tinka tik vaikui, kuris negali atsistoti be pagalbos.
- + naudokite tik tvirtą, horizontalų, lygų ir sausą paviršių.
- + neleiskite kitiems vaikams be priežiūros žaisti šalia nešiojamojo lopšio.
- + nenaudokite nešiojamojo lopšio, jei bent viena jo dalis sulūžusi, suplėšyta arba jos trūksta.
- + laikykite „Joolz Day³“ atokiau nuo židinio arba kitų šilumos šaltinių, pavyzdžiui, elektrinių šildytuvų, dujinių židinių ir pan.

- + naudokite tik „Joolz“ patvirtintas korpuso kėdutes, automobilines kėdutes, pakaitines dalis ir priedus.
- + kai automobilinės kėdutės naudojamos su „Joolz Day³“ važiukle, jos nepakeičia lopšio arba lovelės. Jei vaikui reikia pamiegoti, jis turėtų būti paguldytas į „Joolz Day³“ vežimėlį, lopšį arba lovelę.
- + nenaudokite vežimėlio, jei pažeistos, suplėšytos arba trūksta dalių.
- + kai lankstote vežimėlį, visada priekiniams ratukams naudokite pasukamąjį užraktą. Jei to nepadarysite, gali būti pažeistos padangos, kurios gali deformuotis, ypač esant aukštai temperatūrai.
- + stabdžiai visada turėtų būti nuspausti, kai vaikas įdedamas arba išimamas.
- + neturėtų būti naudojami priedai, kuriuos tiekia ne „Joolz“.
- + turėtų būti naudojamos tik „Joolz“ tiekiamos arba rekomenduojamos atsarginės dalys.
- + ši kėdutė skirta vaikams nuo 6 mėnesių amžiaus, kurių svoris neviršija 22 kg/48.5 lbs.

- + nešiojamojo lopšio rankenos ir apačia turėtų būti reguliariai tikrinama, ar nėra pažeista arba nusidėvėjusi.
- + prieš pradėdami naudoti visada įsitikinkite, kad buferio strypelis tinkamai uždėtas ant lopšio / kėdutės.
- + vaiko galva nešiojamajame lopšyje niekada neturėtų būti žemiau negu vaiko kūnas.
- + nedėkite papildomo čiužinio ant čiužinio, kurį pristatė Joolz.

PRIEŽIŪROS / PLOVIMO INSTRUKCIJOS

Audinį valykite drungnu vandeniu ir muilu. Išskalaukite švari vandeniu ir palikite išdžiūti. Niekada nenaudokite baliklio arba kitų cheminių ploviklių. Periodiškai (maždaug kartą per mėnesį) išpurškite ratukus ir metalines dalis teflono arba silicio purškalu, kad vežimėlis toliau riedėtų tolygiai.



Jūsų „Day³“ vežimėlio dalys anoduotos, todėl apsaugotos nuo išorės poveikio, pavyzdžiui, korozijos. Anoduotos aliuminio dalys pažeidžiamos rūgštiniais valikliais arba tepalais, kurie gali palikti dėmių arba pakeisti aliuminio dalių spalvą. Todėl patariame vežimėlio aliuminio dalis valyti šiltu vandeniu ir minkšta šluoste.

GARANTIJA

„Joolz“ suteikia „Joolz Day³“ garantiją visam gyvenimui. Garantija taikoma visiems medžiagos ir gamybos brokams, bet ne produkto grąžinimui arba keitimui. Norėdami gauti šią garantiją, turite tiesiog priregistruoti savo „Joolz“ vežimėlį register.joolz.com per šešis mėnesius nuo įsigijimo bei išsaugoti originalų įsigijimo įrodymą su įsigijimo data. Jei nepriregistruosite „Joolz“ vežimėlio per šešis mėnesius nuo įsigijimo, vežimėliui bus taikoma dvejų metų garantija.

Garantija galioja tik tuo atveju, jei pardavėjui kartu su brokuotu produktu pateikiate toliau nurodytus dokumentus:

- 1) Savo garantijos pažymėjimą,
- 2) Bet kokį asmens tapatybės nustatymo dokumentą,
- 3) Pirkimo čekio kopiją (su nurodyta pirkimo data),
- 4) Išsamų broko aprašymą.

Garantijos pažymėjimą gausite, kai priregistruosite savo „Joolz“ vežimėlį mūsų svetainėje register.joolz.com.

Jei pardavėjas negali padėti dėl skundo, susisiekite su „Joolz“. Atkreipkite dėmesį, kad taisymo darbai nepratęsia garantijos laikotarpio.

GARANTIJA NETAIKOMA:

- 1) Defektams, kuriuos sukėlė įprastas nusidėvėjimas dėl kasdienio naudojimo, pavyzdžiui, nusidėvėjusiems ratukams ir audiniams, įbrėžimams ant aliuminio ir (arba) metalinių detalių bei medžiagų spalvos pasikeitimui dėl ilgalaikio naudojimo arba dėl naudojimo ne pagal nurodymus;
- 2) Ratukų pažeidimams, pavyzdžiui, jei jie praduriami arba suplyšta;
- 3) Pažeidimams, kuriuos lėmė nelaimingi atsitikimai, netinkamas naudojimas, aplaidumas, gaisras, kontaktas su skysčiais arba kita išorinė priežastis;
- 4) Pažeidimams, kuriuos lėmė naudotojo vadovo, nurodytų veiksmų arba kitų „joolz“ gairių nesilaikymas;
- 5) Pažeidimams, kuriuos sukėlė kitas produktas, įskaitant priedus;
- 6) Pažeidimams, kurie buvo sukelti ne įgaliotojo „joolz“ atstovo vykdytuoju techninę priežiūrą arba remonto darbus;
- 7) Vagystei;
- 8) Pažeidimams, kuriuos sukėlė gabenimas oro arba sausumos transportu.

Kuriant „Joolz Day³“ vežimėlį ir lopšį buvo itin atsižvelgiama į saugumą. Todėl mūsų produktai atitinka tolesnius saugos standartus:

Europos: EN 1888:2012 / EN 1466:2014/AC: 2015
 Jungtinių Amerikos Valstijų:
 ASTM F833-15 / ASTM F2050-16
 Kanados: SOR/2016-167
 Australijos: AS/NZS 2088:2013

Aplankykite joolz.com, facebook.com/myjoolz arba susisiekite su pardavėju, jei turite klausimų ir (arba) komentarų.

POMEMBNO: PRED UPORABO SKRBNO PREBERITE NAVODILA IN JIH SHRANITE ZA NADALJNO UPORABO.

⚠ OPOZORILO

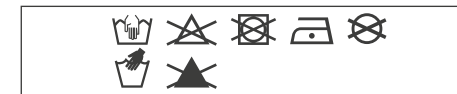
- + Malčka nikoli ne puščajte samega, brez nadzora.
- + Pred uporabo se prepričajte, da so vsa varovala zataknjena.
- + Da bi se izognili poškodbam, malčka med prilagajanjem, raztegovanjem in zlaganjem vozička vedno umaknite proč od izdelka.
- + Ne dovolite malčku, da bi se igral z vozičkom.
- + Sedežna enota ni primerna za malčke, mlajše od 6 mesecev.
- + Vedno uporabite sistem varnostnih pasov.
- + Pred uporabo se prepričajte, da so elementi za pritrditev košare, sedeža ali otroškega avto sedeža pravilno zatakneni.
- + Izdelka ne uporabljajte med tekom ali rolanjem.
- + Košara in sedežne enote Joolz Day³ so združljive le z okvirjem vozička Joolz Day³ in obratno.
- + Ne uporabljajte dodatnih vzmetnic.
- + Vsaka obremenitev stranic in/ali ročaja vozička Joolz Day² lahko vpliva na njegovo stabilnost.
- + V košari ali sedežnih enotah vozička Joolz Day³ lahko prevažate le enega malčka.
- + Uporabljajte le sedežne enote, otroške avto sedeže, nadomestne dele in dodatke, ki jih je odobril proizvajalec Joolz.
- + Otroški avto sedeži, v kombinaciji z okvirjem vozička Joolz Day³, ne morejo nadomestiti otroške posteljice ali postelje. Če vaš malček potrebuje spanje, ga položite v košaro vozička Joolz Day³, otroško posteljico ali posteljo.
- + Vozička ne uporabljajte, če je katerikoli del poškodovan, strgan ali če manjka.
- + Pri zlaganju vozička vedno uporabite blokado sprednjih, vrtiljivih koles. Če tega ne storite, lahko pride do blokade koles in posledično do deformacij, še posebej v vročem okolju.
- + Ko nameščate malčka v voziček oziroma, ko ga dvigujete iz njega, vedno zategnite zavoro.
- + Ne uporabljajte dodatkov, ki jih ni zagotovil proizvajalec Joolz.
- + Uporabljajte le nadomestne dele, ki jih je dobavil ali priporočil proizvajalec Joolz.
- + Sedež je namenjen malčkom, starejšim od 6 mesecev in težkim maksimalno 22 kg/48.5 lbs.

⚠ OPOZORILA ZA PRENOSNO KOŠARO

- + Prenosna košara Joolz Day³ je primerna za malčke, ki še ne znajo sedeti sami, ki se še ne znajo prevalliti na stran in se še ne znajo dvigniti na rokice in kolena. Maksimalna teža malčka: 9 kg.
- + Izdelek je primeren le za malčke, ki še ne znajo sedeti sam, brez pomoči.
- + Prenosno košaro lahko uporabljate le na trdni, vodoravni in suhi površini.
- + Ne dovolite drugim otrokom, da bi se brez nadzora igrali v bližini prenosne košare.
- + Prenosne košare ne uporabljajte, če je katerikoli del košare poškodovan, raztrgan ali če manjka.
- + Joolz Day³ hranite proč od odprtega ognja in drugih virov toplote, kot so električni ali plinski grelniki, itd.
- + Ročaja in dno prenosne košare morate redno pregledovati, da pravočasno ugotovite znake morebitnih poškodb in obrabe.
- + Pred uporabo se vedno prepričajte, da je prednje varovalo pravilno pritrjeno na košaro/sedežno enoto.
- + V prenosni košari ne sme biti malčkova glavica nikoli nižje od njegovega telesa.
- + Vzmetnici, ki jo dobavi proizvajalec Joolz, ne dodajajte dodatne vzmetnice.

NAPOTKI ZA VZDRŽEVANJE/ČIŠČENJE

Tekstilne dele očistite s toplo milnico. Splaknite jih s čisto vodo in dobro posušite. Ne uporabljajte belil ali drugih kemičnih detergentov. Občasno (približno enkrat mesečno) kolesa in kovinske dele napršite s teflonskim ali silikonskim pršilom, da bo voziček gladko tekkel.



Aluminijasti deli vozička Day³ so eloksirani, da so zaščiteni pred zunanjimi vplivi, kot je na primer korozija. Eloksirani aluminijasti deli so občutljivi na jedka čistila ali mazila, ki lahko pustijo madeže in razbarvajo aluminijaste dele. Svetujemo vam, da aluminijaste dele vozička očistite s toplo vodo in mehko krpo.

GARANCIJA

Joolz ponuja doživljenjsko garancijo za izdelke Joolz Day³. Garancija zajema vse stvarne in proizvodne napake, ne pa zamenjavo ali vračilo izdelka. Vse kar morate storiti, če želite biti upravičeni do doživljenjske garancije, je registrirati vaš voziček Joolz na register.joolz.com v roku šestih mesecev od nakupa in obdržati originalno dokazilo o nakupu, vključno z datumom nakupa. Če svojega vozička Joolz ne boste registrirali v šestih mesecih po nakupu, boste upravičeni do dveletne garancije.

Garancija velja le v primeru, če skupaj z okvarjenim izdelkom dostavite prodajalcu tudi naslednje elemente:

- 1) Certifikat o garanciji,
- 2) Katero koli osebni dokument,
- 3) Kopijo potrdila o nakupu (vključno z datumom nakupa),
- 4) Podroben opis napake.

Potrdilo o garanciji boste prejeli po registraciji svojega vozička Joolz na naši spletni strani register.joolz.com.

Če vam pri vaši pritožbi ne more pomagati prodajalec, se obrnite na podjetje Joolz. Upoštevajte, da kakršna koli popravila ne podaljšajo garancijskega obdobja.

GARANCIJA NE KRIJE:

- 1) Napak, ki nastanejo pri običajni obrabi, npr. kolesa in tkanine, ki se obrabijo zaradi vsakodnevnih uporabe, praske na aluminiju in/ali kovini ter naravno razbarvanje materialov, do česar pride sčasoma ali zaradi neupoštevanja navodil za vzdrževanje.
- 2) Poškodb koles, kot so npr. predrta oz. počena kolesa.
- 3) Poškodb, ki nastanejo zaradi nesreč, nepravilne uporabe, malomarnosti, ognja, stika s tekočinami ali drugega zunanega vzroka.
- 4) Poškodb, ki nastanejo zaradi neupoštevanja navodil za uporabo, videoposnetkov z navodili ali drugih smernic podjetja Joolz.
- 5) Poškodb, ki nastanejo zaradi drugega izdelka, vključno z dodatno opremo.
- 6) Poškodb, ki nastanejo med servisiranjem ali izvajanjem popravila, ki ga opravi nepooblaščen predstavnik podjetja Joolz.
- 7) Kraje.
- 8) Poškodb, ki nastanejo med zračnim prevozom ali transportom blaga.

Med razvojem vozička in prenosne posteljice Joolz Day³ nam je bila varnost zelo pomembna. Naši izdelki zato izpolnjujejo naslednje varnostne standarde:

Evropa: EN 1888:2012/EN 1466:2014/AC: 2015
ZDA: ASTM F833-15/ASTM F2050-16
Kanada: SOR/2016-167
Avstralija: AS/NZS 2088:2013

Obiščite spletno stran joolz.com, facebook.com/myjoolz ali se v primeru kakršnih koli vprašanj ali komentarjev obrnite na lokalnega prodajalca.

VAŽNO: PAŽLIVO PROČITAJTE OVE UPUTE PRIJE UPOTREBE I SAČUVAJTE IH ZA UBUĐUĆE.

⚠ PAŽNJA

- + Nikada ne ostavljajte dijete bez nadzora.
- + Prije upotrebe provjerite jesu li svi uređaji za pričvršćivanje ispravno postavljeni.
- + Da biste izbjegli ozljede, pobrinite se da dijete nije u blizini dok rasklapate i sklapate ovaj proizvod.
- + Ne dopustite djetetu da se igra s ovim proizvodom.
- + Ova sjedalica nije prikladna za djecu mlađu od 6 mjeseci.
- + Uvijek koristite sustav pojaseva.
- + Prije upotrebe provjerite jesu li nosiljka, sjedalica ili dodatni uređaji za automobilsku sjedalicu ispravno postavljeni.
- + Ovaj proizvod nije namijenjen trčanju ili klizanju.
- + Košara i sjedalica Joolz Day³ kompatibilne su samo s okvirom Joolz Day³ i obrnuto.
- + Ne upotrebljavajte dodatni madrac.
- + Svaki teret koji pričvrstite na bočnu stranu i/ili ručku kolica Joolz Day³ može utjecati na njihovu stabilnost.
- + Nosiljka ili sjedalica Joolz Day³ namijenjene su samo za jednog putnika.
- + Koristite samo sjedalice, automobilske sjedalice, zamjenske dijelove i opremu koju je odobrio Joolz.

⚠ UPOZORENJA ZA NOSILJKU

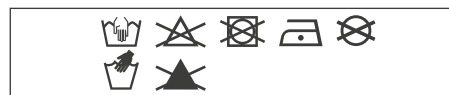
- + Nosiljka Joolz Day³ prikladna je samo za dijete koje ne može samo sjediti, preokrenuti se te puzati. Maksimalna težina djeteta: 9 kg.
- + Ovaj proizvod prikladan je samo za dijete koje ne može sjediti bez pomoći.
- + Koristite samo na čvrstoj, horizontalnoj i suhoj površini.
- + Nemojte dozvoliti drugoj djeci da se bez nadzora igraju pored nosiljke.
- + Nemojte koristiti ako je dio nosiljke razbijen, oštećen ili nedostaje.
- + Čuvajte Joolz Day³ dalje od otvorenog plamena i drugih izvora topline, kao što su električne grijače spirale, plinski štednjaci, itd.

- + Za automobilske sjedalice povezane sa šasijom Joolz Day³, to vozilo ne zamjenjuje kolijevku ili krevet. Ako vaše dijete treba spavati, stavite ga u Joolz Day³ okvir kolica, kolijevku ili krevet.
- + Ne koristite kolica ako su dijelovi oštećeni, razbijeni ili nedostaju.
- + Uvijek spustite kočnicu na prednjim kotačima prilikom sklapanja kolica. Ako to ne učinite, može doći do oštećenja i deformacije guma, posebno u toplom okruženju.
- + Uvijek trebate pritisnuti kočnicu kad stavljate dijete u kolica ili ga vadite iz njih.
- + Nemojte koristiti opremu koju nije odobrila tvrtka Joolz.
- + Koristite samo rezervne dijelove koje je dostavio ili preporučio Joolz.
- + Sjedalica je namijenjena djeci starijoj od 6 mjeseci, maksimalne težine do 22 kg/48.5 lbs.

- + Trebali biste redovito pregledavati ručke i donji dio nosiljke kako biste otkrili ima li znakova oštećenja i habanja.
- + Prije upotrebe uvijek provjerite je li odbojna šipka ispravno pričvršćena na nosiljku/sjedalicu.
- + Kada je u nosiljci, glava djeteta nikada ne smije biti u nižem položaju u odnosu na tijelo djeteta.
- + Ne stavljajte dodatne madrace na madrac koji je dostavio Joolz.

ODRŽAVANJE / UPUTE ZA PRANJE

Operite tkaninu toplom vodom iz slavine i sapunom. Isperite vodom i ostavite da se suši. Nikada ne koristite izbjeljivač i druga kemijska sredstva za čišćenje. Povremeno (otprilike jednom mjesečno) podmažite kola i metalne dijelove teflonom ili silikonskim sprejem kako biste osigurali neometano funkcioniranje kolica.



Aluminijski dijelovi kolica Day³ anodizirani su radi zaštite od vanjskih utjecaja, kao što je korozija. Anodizirani aluminijski dijelovi osjetljivi su na sredstva za čišćenje s kiselinom ili mast koja može uzrokovati mrlje i uništavanje boje na aluminijskim dijelovima. Stoga vam preporučujemo da aluminijske dijelove kolica čistite toplom vodom i mekanom tkaninom.

JAMSTVO

Joolz nudi doživotno jamstvo na kolica Joolz Day³. Jamstvo pokriva sve materijalne i proizvođačke kvarove, ali ne i zamjenu ili povrat proizvoda. Da bi dječja kolica marke Joolz ispunjavala uvjete za doživotno jamstvo, trebate ih samo registrirati na adresi register.joolz.com u roku od šest mjeseci nakon kupnje i zadržati izvorni dokaz kupnje na kojem je vidljiv datum kupnje. Ako ne registrirate dječja kolica marke Joolz u roku od šest mjeseci od datuma kupnje, dobit ćete dvogodišnje jamstvo.

Jamstvo je važeće samo ako u trgovinu dostavite neispravan proizvod i sljedeće:

- 1) Jamstvenu karticu,
- 2) Osobni identifikacijski dokument,
- 3) Kopiju potvrde o kupnji (uključujući datum kupnje),
- 4) Detaljni opis kvara.

Potvrdu o jamstvu ćete dobiti kada registrirate svoja dječja kolica marke Joolz na našoj mrežnoj stranici register.joolz.com.

Ako vam u trgovini ne mogu pomoći s pritužbom, obratite se Joolzu. Valja napomenuti da popravci ne produljuju razdoblje jamstva.

NAŠE JAMSTVO NE POKRIVA SLJEDEĆE:

- 1) Neispravnosti uzrokovane uobičajenim trošenjem i habanjem, na primjer kotače i tkanine istrošene svakodnevnom upotrebom, ogrebotine na aluminiju i/ili metalu i prirodnu promjenu boje materijala prouzročenu vremenom ili nepridržavanjem uputa o održavanju.
- 2) Oštećenja kotača kao što su rupe i ogrebotine.
- 3) Oštećenja uzrokovana nesrećama, neispravnom upotrebom, nemarom, požarom, kontaktom s tekućinama ili drugim vanjskim uzročnikom.
- 4) Oštećenja uzrokovana neusklađenosti s korisničkim priručnikom, videozapisima s uputama ili drugim Joolzovim smjernicama.
- 5) Oštećenja uzrokovana drugim proizvodom, uključujući dodatnu opremu.
- 6) Oštećenja uzrokovana uslugom ili popravkom koji je izvršio neslužbeni predstavnik tvrtke Joolz.
- 7) Krađa.
- 8) Oštećenja uzrokovana zračnim prijenosom/prijevozom.

Tijekom razvoja kolica i nosiljke Joolz Day³, sigurnost je bila među najvažnijim stvarima. Stoga naši proizvodi ispunjavaju sljedeće sigurnosne norme:

Europa: EN 1888:2012 / EN 1466:2014/AC: 2015.
Sjedinjene Američke Države: ASTM F833-15 / ASTM F2050-16
Kanada: SOR/2016-167
Australija: AS/NZS 2088:2013

Ako imate pitanja i/ili primjedbi, posjetite joolz.com, facebook.com/myjoolz ili se obratite prodajnom predstavniku.

DŮLEŽITÉ: PŘED POUŽITÍM SI TYTO POKYNY POZORNĚ PROČTĚTE A USCHOVEJTE JE, ABYSTE DO NICH MOHLI POZDĚJI NAHLÍŽET.

⚠ VAROVÁNÍ

- + Nikdy své dítě nenechávejte bez dozoru.
- + Před použitím zkontrolujte, zda jsou všechny zámkové zajištění.
- + Aby nedošlo ke zranění, musí být tento výrobek při rozkládání a skládání mimo dosah dítěte.
- + Nenechávejte dítě, aby si s výrobkem hrálo.
- + Tato sedačka není vhodná pro děti mladší 6 měsíců.
- + Vždy používejte zádržný systém.
- + Před použitím korby, sedačky nebo autosedačky zkontrolujte, zda jsou správně zajištěny jejich upevňovací prvky.
- + Tento výrobek není vhodný pro běhání nebo bruslení.
- + Korbu a sedačku Joolz Day³ lze používat výhradně s podvozkem Joolz Day³ a naopak.
- + Nepoužívejte přídavnou matraci.
- + Předměty připevněné na boky, případně rukojeť kočárku Joolz Day³ mohou narušit jeho stabilitu.
- + Korba či sedačka Joolz Day³ je určena pouze pro jedno dítě.
- + Používejte pouze sedačky, autosedačky, náhradní díly a příslušenství schválené společností Joolz.

- + Pro autosedačky kombinované s podvozkem Joolz Day³: toto vozítko nelze použít jako korbu či postýlku. Potřebuje-li dítě spát, umístěte je do kočárku, korby či postýlky Joolz Day³.
- + Nepoužívejte kočárek, pokud některé jeho součásti chybějí, jsou poškozené či utržené.
- + Při skládání kočárku vždy použijte zámek otočného čepu na předním kolečku. Pokud tak neučiníte, může dojít k obstrukci pneumatik, což vede k deformacím, a to zejména v horkém prostředí.
- + Při ukládání a vyjímání dítěte musí být brzdy vždy zajištěné.
- + Používejte výhradně příslušenství dodávané společností Joolz.
- + Používejte pouze náhradní díly dodávané nebo doporučené společností Joolz.
- + Tato sedačka je určena pro děti od 6 měsíců až do maximální hmotnosti 22 kg/48.5 lbs.

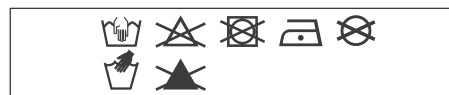
⚠ VAROVÁNÍ PRO KORBU

- + Korba Joolz Day³ je vhodná pouze pro dítě, které ještě neumí sedět zpříma bez opory a neumí se samo otáčet nebo se zvednout na ruce nebo kolena. Maximální hmotnost dítěte: 9 kg.
- + Tento výrobek je vhodný pouze pro dítě, které ještě neumí sedět bez opory.
- + Používejte pouze na pevném, horizontálním, rovném a suchém podkladu.
- + Nenechávejte jiné děti hrát si bez dozoru v blízkosti korby.
- + Nepoužívejte, pokud některá součást korby chybí nebo je rozbitá či utržená.

- + Udržujte výrobek Joolz Day³ mimo dosah otevřeného ohně a jiných tepelných zdrojů, jako jsou např. elektrická topná tělesa, plynové hořáky apod.
- + U rukojetí a dna korby je třeba pravidelně kontrolovat známky poškození či opotřebení.
- + Před použitím vždy zkontrolujte, zda je ke korbě/sedačce správně připevněn nárazník.
- + Hlava dítěte nesmí v korbě spočívat níže než tělo.
- + Nedávejte na matraci Joolz žádnou další matraci.

POKYNY PRO ÚDRŽBU/ČIŠTĚNÍ

Látku čistěte vlažnou vodou a mýdlem. Opláchněte čistou vodou a nechte uschnout. Nepoužívejte bělidlo ani jiné chemické prostředky. Pravidelně (přibližně jednou za měsíc) ošetřujte kola a kovové součásti teflonovým nebo silikonovým sprejem, aby byla zajištěna správná funkce kočárku.



Hliníkové části kočárku Day³ jsou ošetřeny eloxováním – jsou tak chráněny před vnějšími vlivy, například korozi. Eloxované hliníkové součásti jsou citlivé na kyselé čisticí či mazací prostředky, které na nich mohou zanechat skvrny nebo způsobit změny barvy. Proto doporučujeme čistit hliníkové části kočárku jemným hadříkem a teplou vodou.

ZÁRUKA

Společnost Joolz nabízí celoživotní záruku v rámci Joolz Day³. Záruka se vztahuje na veškerý materiál a na výrobní vady, nikoliv však na výměnu nebo vrácení výrobku. Chcete-li získat nárok na doživotní záruku, stačí jen zaregistrovat svůj kočárek Joolz na adrese register.joolz.com do šesti měsíců od zakoupení a uchovat originální doklad o zakoupení s datem nákupu. Pokud neprovedete registraci svého kočárku Joolz do šesti měsíců od zakoupení, získáváte dvouletou záruku.

Záruka je platná pouze tehdy, pokud s vadným výrobkem doručíte svému prodejci následující:

- 1) Záruční list,
- 2) Jakákoli forma osobní identifikace,
- 3) Kopie dokladu o nákupu (s datem nákupu),
- 4) Podrobný popis závady.

Certifikát k záruce obdržíte po registraci kočárku Joolz na našem webu register.joolz.com.

Pokud vám váš prodejce nemůže pomoci při vyřizování vaší reklamace, obraťte se na zástupce společnosti Joolz. Vezměte prosím na vědomí, že při případných opravách se dvouletá záruční doba neprodlužuje.

ZÁRUKA SE NEVZTAHUJE NA NÁSLEDUJÍCÍ PŘÍPADY:

- 1) Defekty způsobené běžným opotřebením (například ojetá kola či opotřebovaná látka po každodenním používání, škrábance na hliníkových nebo kovových částech a přirozená ztráta barevnosti materiálů v průběhu času nebo v důsledku nedodržení pokynů k údržbě).
- 2) Poškození kol (díry a trhliny).
- 3) Škody způsobené nehodami, nesprávným užíváním, nedodržováním předpisů, ohněm, kontaktem s tekutinami nebo jinou externí příčinou.
- 4) Škody způsobené nedodržováním pokynů v uživatelské příručce, instruktážních filmech nebo jiných předpisech Joolz.
- 5) Škody způsobené jinými výrobky, včetně příslušenství.
- 6) Škody způsobené servisem nebo opravami, které nejsou provedeny oficiálním zástupcem Joolz.
- 7) Krádeže.
- 8) Poškození při letecké přepravě.

Při vývoji kočárku a korby Joolz Day³ byla věnována mimořádná pozornost bezpečnosti. Naše výrobky jsou v plném souladu s následujícími bezpečnostními normami:

Evropa: EN 1888:2012 / EN 1466:2014/AC: 2015
 USA: ASTM F833-15 / ASTM F2050-16
 Kanada: SOR/2016-167
 Austrálie: AS/NZS 2088:2013

Máte-li nějaké otázky či připomínky, navštivte web joolz.com, facebook.com/myjoolz nebo se obraťte na svého prodejce.

ВАЖНО: МОЛЯ, ВНИМАТЕЛНО ПРОЧЕТЕТЕ НАСТОЯЩИТЕ ИНСТРУКЦИИ ПРЕДИ УПОТРЕБА И ГИ ЗАПАЗЕТЕ ЗА ЦЕЛИТЕ НА БЪДЕЩИ СПРАВКИ.

⚠ ПРЕДУПРЕЖДЕНИЕ

- + Никога не оставяйте детето си без надзор.
- + Преди употреба се уверете, че всички заключващи устройства са активирани.
- + За да избегнете наранявания, се уверете, че детето Ви не е заплашено от движещите се части при разгъване и сгъване на продукта.
- + Не позволявайте на детето да си играе с продукта.
- + Седалката не е подходяща за използване при деца, които са на възраст под 6 месеца.
- + Винаги използвайте ограничителните колани.
- + Преди употреба се уверете, че устройствата за закрепяне на кошарите, седалките или седалките за коли са задействани правилно.
- + Този продукт не е подходящ при тичане или каране на кьнки.
- + Кошарите и седалките Joolz Day³ са съвместими само с шаси Joolz Day³ и обратното.
- + Не използвайте допълнителни дюшечета.
- + Евентуалните товари по страните и/или кормилото на количката Joolz Day³ може да засегнат стабилността ѝ.
- + Кошарите или седалките Joolz Day³ могат да се ползват от само един пасажер.
- + Използвайте само седалки, резервни части и аксесоари, които са одобрени от Joolz.
- + Това устройство не служи като заместител за кошара или легло при седалките за коли съвместно с шаси Joolz Day³. Ако искате да сложите детето си да спи, тогава трябва да го поставите в кошарата или легло на количката Joolz Day³.
- + Не използвайте количката, ако има повредени или липсващи части.
- + Винаги активирайте осевото заключване на предните колела, когато сгъвате количката. В противен случай може да се стигне до притискане на колелцата, което ще ги деформира, особено при високи температури.
- + Спирачките винаги трябва да са активирани, когато слагате или вадите детето в/от количката.
- + Не трябва да използвате аксесоари, които не са произведени от Joolz.

⚠ ПРЕДУПРЕЖДЕНИЯ

ОТНОСНО КОШАРАТА ЗА НОСЕНЕ

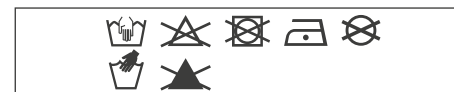
- + Трябва да използвате само резервни части, които са произведени или препоръчани от Joolz.
- + Седалката е предназначена да се използва при деца на възраст над 6 месеца и с максимално тегло от 15 кг.
- + Кошарите Joolz Day³ са подходящи за деца, които не могат да стават сами, да се превъртат или да се изправят на четири крака. Максимално тегло на детето: 9 кг.
- + Този продукт е подходящ само за деца, които не могат да се изправят без помощ.
- + Използвайте само на здрава и равна суха хоризонтална повърхност.
- + Не оставяйте други деца да играят без надзор в близост до кошарата за носене.
- + Не използвайте кошарата за носене, ако има липсващи или повредени части.
- + Пазете Joolz Day³ от пламъци и други източници на топлина, например електрически или газови нагреватели.
- + Дръжките и долната част на кошарата за носене трябва редовно да се проверяват за признаци на износване или повреждане.
- + Винаги се уверявайте, че предпазителят е поставен правилно, преди да използвате кошарата/седалката.
- + Главата на детето в кошарата за носене никога не трябва да бъде на по-ниско ниво спрямо тялото му.
- + Не поставяйте допълнителни дюшечета върху дюшечето, осигурено от Joolz.

ИНСТРУКЦИИ ЗА ПОЧИСТВАНЕ/ ПОДДРЪЖКА

Почистете тъканта с топла вода и сапун.

Изплакнете с чешмяна вода и оставете да изсъхне.

Никога не използвайте белина или други химически препарати. Периодично (приблизително веднъж месечно) нанасяйте тефлон или силиконов спрей по колелата, за да гарантирате плавния ход на количката.



Алуминиевите части на количката Day³ са анодизирани с цел защита срещу определени външни влияния, например корозирание. Анодизираните алуминиеви части са уязвими към киселинни почистващи препарати или смазка, които може да доведат до появата на петна или обезцветяването им. Поради тази причина Ви съветваме да почиствате алуминиевите части на количката с топла вода и мек парцал.

ГАРАНЦИЯ

Joolz предлага гаранция за целия период на експлоатация за Joolz Day³. Гаранцията покрива всички материални и производствени дефекти, но не и смяна или връщане на продукта. За да можете да се възползвате от гаранцията за целия период на експлоатация, трябва само да регистрирате своята количка Joolz на register.joolz.com в срок от шест месеца след покупката и да запазите оригиналните доказващи покупката документи с включена дата на закупуване. Ако не регистрирате Вашата количка Joolz в срок от шест месеца след покупката, ще получите двугодишна гаранция.

Гаранцията е валидна само ако заедно с дефектния продукт представите на продавача и следните документи:

- 1) Сертификата ви за гаранция,
- 2) Документ за удостоверяване на самоличността,
- 3) Копие на разписката за покупката (с включена дата на закупуване),
- 4) Подробно описание на дефекта.

Ще получите сертификата за гаранция, след като регистрирате Вашата количка Joolz на уеб сайта ни register.joolz.com.

Ако търговецът не може да Ви помогне по отношение на оплакването, се свържете с Joolz. Имайте предвид, че евентуалните ремонти не удължават гаранционния период.

ГАРАНЦИЯТА НЕ ПОКРИВА:

- 1) Дефекти, причинени от нормално износване и скъсване, като например износени от ежедневна употреба колела и тъкани, драскотини по алуминиевите и/или металните части и естествено обезцветяване на материалите във времето или поради неспазване на инструкциите за поддръжка.
- 2) Повреда на колелата, като например дупки и скъсвания.
- 3) Повреда, причинена от инциденти, неправилна употреба, огън, контакт с течности или друго външно влияние.
- 4) Повреда в резултат от несъблюдаването на ръководството за експлоатация, филмите с инструкции или други аксесоари.
- 5) Повреда, причинена от друг продукт, включително аксесоари.
- 6) Повреда от сервизни работи или ремонти, извършени от неофициален представител на Joolz.
- 7) Кражба.
- 8) Транспортиране по въздух или повреда на товара.

По време на разработването на количката и кошчето Joolz Day³ обърнахме специално внимание на безопасността. Така нашите продукти отговарят на следните стандарти за безопасност:

За Европа: EN 1888:2012 / EN 1466:2014/AC: 2015
 За САЩ: ASTM F833-15 / ASTM F2050-16
 За Канада: SOR/2016-167
 За Австралия: AS/NZS 2088:2013

Ако имате някакви въпроси и/или забележки, посетете joolz.com, facebook.com/myjoolz или се свържете с Вашия търговец.

IMPORTANT: VĂ RUGĂM SĂ CITIȚI ACESTE INSTRUCȚIUNI CU ATENȚIE ÎNAINTE DE UTILIZARE ȘI SĂ LE PĂSTRAȚI PENTRU CONSULTARE ULTERIOARĂ.

⚠️ AVERTISMENT

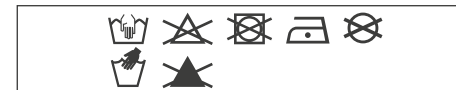
- + Nu vă lăsați copilul nesupravegheat.
- + Asigurați-vă că toate dispozitivele de blocare sunt cuplate înainte de utilizare.
- + Pentru a evita vătămările corporale, asigurați-vă că copilul dvs. se află la distanță în momentul deplierii, plierii și ajustării acestui produs.
- + Nu lăsați copilul să se joace cu acest produs.
- + Această unitate de scaun nu este adecvată pentru copiii sub 6 luni.
- + Utilizați întotdeauna sistemul de fixare.
- + Verificați dacă, înainte de utilizare, dispozitivele de atașare a landoului, scaunului sau scaunului auto sunt corect cuplate.
- + Acest produs nu este adecvat pentru alergare sau patinaj.
- + Landourile și unitățile de scaun Joolz Day³ sunt disponibile doar cu cadrul Joolz Day³ și viceversa.
- + Nu utilizați o saltea suplimentară.
- + Orice încărcătură atașată în lateral și/sau pe ghidonul căruciorului Joolz Day³ îi poate afecta stabilitatea.
- + Landoul sau unitățile de scaun Joolz Day³ pot să transporte fiecare doar un pasager.

⚠️ AVERTISMENTE PENTRU LANDOUL DE TRANSPORT

- + Landoul Joolz Day³ este adecvat pentru un copil care nu se poate ridica fără ajutor, nu se poate rostogoli și nu se poate ridica sprijinindu-se în mâini și genunchi. Greutatea maximă a copilului: 9 kg.
- + Acest produs este adecvat doar pentru un copil care nu se poate ridica fără ajutor.
- + Utilizați doar pe o suprafață fermă, orizontală și uscată.
- + Nu lăsați alți copii să se joace nesupravegheați în apropierea landoului de transport.
- + Nu utilizați dacă vreă parte a landoului de transport este defectă, uzată sau lipsește.
- + Utilizați doar scaune corporale, scaune auto, piese de schimb și accesorii care sunt aprobate de Joolz.
- + Pentru scaunele auto împreună cu cadrul Joolz Day³, acest vehicul nu înlocuiește un landou sau un pătuț. În cazul în care copilul dvs. trebuie să doarmă, atunci acesta trebuie așezat în cadrul pătuțului, landoului sau căruciorului Joolz Day³.
- + Nu utilizați căruciorul dacă vreuna dintre piese este deteriorată, uzată sau lipsește.
- + Aplicați întotdeauna blocarea rotirii pe roțile din față când depliați căruciorul. Nerespectarea acestei recomandări poate avea drept rezultat obstrucționarea pneurilor, ducând la deformare, în special într-un mediu cald.
- + Frânele trebuie acționate întotdeauna în momentul așezării și ridicării copiilor.
- + Accesoriile nefurnizate de Joolz nu trebuie utilizate.
- + Trebuie utilizate doar piesele furnizate sau recomandate de Joolz.
- + Acest scaun este destinat copiilor de la 6 luni și celor cu o greutate maximă de până la 22 kg/48.5 lbs.
- + Feriți căruciorul Joolz Day³ de flăcări deschise și alte surse de căldură, precum reșouri electrice, incendii cauzate de gaze etc.
- + Mănerile și baza landoului de transport trebuie inspectate periodic pentru semne de deteriorare și uzură.
- + Asigurați-vă întotdeauna că bara amortizoare este cuplată corect la landou/unitățile de scaun înainte de utilizare.
- + Capul copilului din landoul de transport nu trebuie să fie mai jos decât corpul copilului.
- + Nu așezați o saltea suplimentară peste saltea furnizată de Joolz.

ÎNTREȚINEREA / INSTRUCȚIUNI DE SPĂLARE

Curățați țesătura cu apă caldă și săpun. Clătiți cu apă proaspătă și lăsați la uscat. Nu utilizați niciodată înălbitor sau alți detergenți chimici. Tratați periodic (aproximativ o dată pe lună) roțile și piesele metalice cu Teflon sau spray cu silicon pentru a asigura rularea lină a căruciorului.



Piese de aluminiu ale căruciorului Day³ sunt eloxate pentru a-l proteja de influențele externe precum coroziunea. Piese de aluminiu eloxate sunt vulnerabile la agenți de curățare acizi sau la unsoare, care pot cauza pete sau decolorarea pieselor din aluminiu. Prin urmare, vă sfătuim să curățați piesele din aluminiu ale căruciorului dvs. cu apă caldă și o cârpă moale.

GARANȚIE

Joolz oferă o garanție pe viață în Joolz Day³. Garanția acoperă toate defectele materiale și de fabricație, dar nu și schimbul sau returnarea produsului. Pentru a beneficia de garanția pe viață, tot ce trebuie să faceți este să vă înregistrați căruciorul dvs. Joolz pe register.joolz.com în termen de șase luni de la achiziționare și să păstrați dovada inițială a achiziționării, inclusiv data achiziționării. Dacă nu vă înregistrați căruciorul dvs. Joolz în termen de șase luni de la achiziționare, veți primi o garanție de doi ani.

Garanția este valabilă doar dacă furnizați următoarele elemente retailerului dvs. împreună cu produsul defect:

- 1) Certificatul de garanție,
- 2) Orice formă de identificare personală,
- 3) O copie a chitanței de cumpărare (care include o dată de cumpărare),
- 4) O descriere detaliată a defectului.

Veți primi certificatul de garanție după ce ați înregistrat căruciorul dvs. Joolz pe site-ul nostru register.joolz.com.

Dacă retailerul dvs. nu vă poate asista cu reclamația dvs., contactați Joolz. Rețineți că reparațiile nu prelungesc perioada de garanție.

GARANȚIA NU ACOPERĂ:

- 1) Defecte cauzate de uzura obișnuită, precum roțile uzate și materiale uzate prin utilizarea zilnică, zgârieturi pe aluminiu și/sau pe metal și decolorarea naturală a materialelor în timp sau nerespectarea instrucțiunilor de întreținere.
- 2) Deteriorări ale roților, precum orificiile și lacrimile.
- 3) Deteriorări cauzate de accidente, utilizare necorespunzătoare, neglijență, incendiu, contact cu lichide sau alte cauze.
- 4) Deteriorări rezultate din nerespectarea manualului de instrucțiuni, a filmelor de instrucțiuni sau a altor recomandări joolz.
- 5) Deteriorări cauzate de un alt produs, inclusiv accesorii.
- 6) Deteriorări din service sau din reparații efectuate de către un reprezentant neoficial al joolz.
- 7) Furt.
- 8) Deteriorări cauzate de transportul aerian sau de mărfuri.

Siguranța a fost un factor important pe parcursul dezvoltării căruciorului și a landoului Joolz Day³. Așadar, produsele noastre respectă următoarele standarde de siguranță:

Europa: EN 1888:2012 / EN 1466:2014/AC: 2015
 Statele Unite: ASTM F833-15 / ASTM F2050-16
 Canada: SOR/2016-167
 Australia: AS/NZS 2088:2013

Vizitați joolz.com, facebook.com/myjoolz sau contactați retailerul dvs. pentru orice întrebări și/sau comentarii.

VAŽNO: PAŽLIVO PROČITAJTE OVO UPUTSTVO PRE KORIŠĆENJA I SAČUVAJTE GA ZA KASNIJE.

⚠ UPOZORENJE

- + Nikada nemojte ostavljati dete bez nadzora.
- + Uverite se da su svi uređaji za zaključavanje u funkciji pre korišćenja.
- + Da biste izbegli povredu uverite se da se dete nalazi dalje od ovog proizvoda prilikom njegovog prilagođavanja, rasklapanja i sklapanja.
- + Nemojte dozvoliti detetu da se igra ovim proizvodom.
- + Ova jedinica sedišta nije pogodna za decu mlađu od 6 meseci.
- + Uvek koristite bezbednosni sistem.
- + Uverite se da su dodaci jedinica kolevke, sedišta ili sedišta za automobil pravilno pričvršćeni pre korišćenja.
- + Ovaj proizvod nije pogodan za trčanje ili vožnju poput rolšua/skejtboarda.
- + Joolz Day³ jedinice kolevki i sedišta kompatibilne su samo sa Joolz Day³ konstrukcijom i obrnuto.
- + Nemojte koristiti dodatni madrac.
- + Bilo koji teret pričvršćen za bočne strane i/ili dršku Joolz Day³ kolica može da utiče na njihovu stabilnost.
- + Joolz Day³ jedinice kolevke ili sedišta mogu da nose samo po jednog putnika.
- + Koristite samo sedišta za kolica, sedišta za automobil, rezervne delove i dodatnu opremu koju je odobrila kompanija Joolz.
- + Za sedišta za automobile zajedno sa Joolz Day³ konstrukcijom, ovo vozilo ne zamenjuje kolevku ili krevet. Ako vaše dete treba da spava potrebno je da ga smestite u Joolz Day³ kolica, kolevku(e) ili krevet(e).
- + Nemojte koristiti kolica ako je bilo koji deo oštećen, pohaban ili nedostaje.
- + Uvek primenite sistem za blokadu okretanja na prednjim točkovima kada sklapate kolica. Ako to ne uradite, može doći do opstrukcije pneumatika što dovodi do njihove deformacije, naročito u vrućem okruženju.
- + Kočnice uvek treba da budu u funkciji kada smeštate i vadite decu.
- + Ne treba koristiti dodatnu opremu koju ne obezbeđuje kompanija Joolz.
- + Treba koristiti samo rezervne delove koje isporučuje ili preporučuje kompanija Joolz.
- + Ovo sedište je namenjeno za decu stariju od 6 meseci, do maksimalne težine od 22 kg/48.5 lbs.

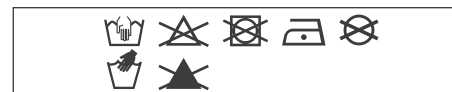
⚠ UPOZORENJE ZA KOLEVKU ZA NOŠENJE

- + Landoul Joolz Day³ este adecvat pentru un copil care nu se poate ridica fără ajutor, nu se poate rostogoli și nu se poate ridica sprijinindu-se în mâini și genunchi. Greutatea maximă a copilului: 9 kg.
- + Acest produs este adecvat doar pentru un copil care nu se poate ridica fără ajutor.
- + Utilizați doar pe o suprafață fermă, orizontală și uscată.
- + Nu lăsați alți copii să se joace nesupraveheați în apropierea landoului de transport.
- + Nu utilizați dacă vreți parte a landoului de transport este defectă, uzată sau lipsește.
- + Feriți căruciorul Joolz Day³ de flăcări deschise și alte surse de căldură, precum reșouri electrice, incendii cauzate de gaze etc.
- + Mănerile și baza landoului de transport trebuie inspectate periodic pentru semne de deteriorare și uzură.
- + Asigurați-vă întotdeauna că bara amortizoare este cuplată corect la landou/unitățile de scaun înaintea de utilizare.
- + Capul copilului din landoul de transport nu trebuie să fie mai jos decât corpul copilului.
- + Nu așezați o saltea suplimentară peste saltea furnizată de Joolz.

UPUTSTVO ZA ODRŽAVANJE/ PRANJE

Očistite tkaninu mlakom vodom i sapunom. Isperite svežom vodom i ostavite da se osuši. Nikada nemojte koristiti izbeljivač ili druge hemijske deterdžente.

Periodično (otprilike jednom mesečno) tretirajte točkove i metalne delove Teflon ili silikonskim sprejem da biste obezbedili neometano kretanje kolica.



Aluminijumski delovi Day³ kolica su anodizirani da bi se kolica zaštitila od uticaja kao što je rđa. Anodizirani aluminijumski delovi su osetljivi na kisela sredstva za čišćenje ili mast, što može da izazove mrlje i promenu boje aluminijumskih delova. Stoga preporučujemo da aluminijumske delove kolica čistite toplom vodom i mekom krpom.

GARANCIJA

Joolz nudi doživotnu garanciju za kolica Joolz Day³. Garancija pokriva sve nedostatke materijala i nedostatke u izradi, ali ne i zamenu ili vraćanje proizvoda. Da biste dobili doživotnu garanciju, sve što treba da uradite jeste da registrujete svoja dečja kolica Joolz na register.joolz.com u roku od šest meseci od kupovine i sačuvate svoj originalni račun na kojem se vidi datum kupovine. Ako svoja kolica Joolz ne registrujete u roku od šest meseci od kupovine, dobićete dvogodišnju garanciju.

Garancija važi samo ako dostavite sledeće stavke trgovcu u maloprodaji zajedno sa neispravnim proizvodom:

- 1) Vašu potvrdu o garanciji,
- 2) Bilo koji lični dokument,
- 3) Kopiju računa (na kojem se vidi datum kupovine),
- 4) Detaljan opis nedostatka.

Potvrdu o garanciji ćete dobiti nakon što registrujete svoja Joolz kolica na našoj veb stranici register.joolz.com.

Ako trgovac u maloprodaji ne može da vam pomogne oko reklamacije, obratite se kompaniji Joolz. Imajte na umu da eventualne popravke ne proizvodu garantni rok.

GARANCIJA NE POKRIVA:

- 1) Neispravnosti izazvane uobičajenim habanjem, poput istrošenih točkova i tkanine usled svakodnevnog korišćenja, ogrebotina na aluminijumskim i/ili metalnim delovima, kao i promena boje materijala uzrokovane protokom vremena ili nepridržavanjem uputstava o održavanju.
- 2) Oštećenja točkova poput rupa i pukotina.
- 3) Oštećenja uzrokovana nezgodama, nepravilnom upotrebom, nemarom, požarom, kontaktom sa tečnostima ili drugim spoljnim uzrocima.
- 4) Oštećenja nastala usled nepridržavanja priručnika za upotrebu, kratkih filmova sa uputstvima i drugih smernica kompanije Joolz;
- 5) Oštećenja uzrokovana drugim proizvodom, uključujući dodatnu opremu.
- 6) Oštećenja nastala servisiranjem ili popravkom od strane osobe koja nije ovlašćeni predstavnik kompanije Joolz.
- 7) Krađu.
- 8) Oštećenja nastala tokom avionskog i teretnog prevoza.

Prilikom razvoja Joolz Day³ kolica i krevca, bezbednost je bila važna stavka. Naši proizvodi stoga ispunjavaju sledeće bezbednosne standarde:

Evropa: EN 1888:2012 / EN 1466:2014/AC: 2015
Sjedinjene Američke Države: ASTM F833-15 / ASTM F2050-16
Kanada: SOR/2016-167
Australija: AS/NZS 2088:2013

Posetite joolz.com, facebook.com/myjoolz ili se obratite maloprodaji za sva pitanja i/ili komentare.

FONTOS: HASZNÁLAT ELŐTT KÉRJÜK, OLVASSA EL AZ ALÁBBI UTASÍTÁSOKAT, ÉS A TOVÁBBI HASZNÁLAT ÉRDEKÉBEN ŐRIZZE MEG.

⚠ FIGYELMEZTETÉS

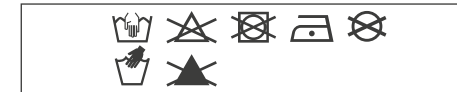
- + Soha ne hagyja a gyermekét felügyelet nélkül.
- + Használat előtt ellenőrizze, hogy a rögzítő eszközöket alkalmazta-e.
- + A sérülések elkerülése érdekében vigyázzon gyermeke épségére a termék összecusakásakor, kinyitásakor és beállításakor.
- + Ne engedje, hogy gyermeke játsszon a termékkel.
- + Ez az ülőrész nem használható 6 hónapnál fiatalabb gyermekeknek.
- + Mindig használja a rögzítő rendszert.
- + Használat előtt ellenőrizze, hogy a mőzeskosarat, az ülőrészt vagy az autósülést rögzítő eszközöket megfelelően biztosította-e.
- + Ez a termék nem alkalmas futáshoz vagy görkorcsolyázáshoz.
- + A Joolz Day³ mőzeskosár és ülőrész csak Joolz Day³ vázzal kompatibilis és fordítva.
- + Ne használjon további matracokat.
- + Az oldalakra és/vagy a Joolz Day³ tolókarjára helyezett bármilyen plusz súly befolyásolhatja a babakocsi stabilitását.
- + A Joolz Day³ mőzeskosár vagy az ülőrész-egységek csak egy gyermek szállítására szolgálnak.
- + Csak a Joolz által jóváhagyott ülőrészeket, autós üléseket, cserealkatrészeket és tartozékokat használjon.
- + A Joolz Day³ vázzal együtt használt autós ülés nem helyettesíti a mőzeskosarat vagy az ágyat. Amikor a gyermekének aludnia kell, akkor tegye a Joolz Day³ babakocsiba, mőzeskosárba vagy az ágyába.
- + Ne használja a babakocsit, ha bármelyik alkatrésze sérült, szakadt vagy hiányos.
- + Minden esetben rögzítse az első kerekek forgatását gátló féket, amikor összehajítja a babakocsit. Ennek elmulasztása esetén a gumibroncsok beszorulhatnak és eldeformálódnak, főleg meleg környezetben.
- + A fékeket mindig használni kell, amikor a gyermeket behelyezi a babakocsiba, vagy kiveszi onnan.
- + Ne használjon a Joolz által nem jóváhagyott tartozékokat.
- + Csak a Joolz által biztosított vagy ajánlott cserealkatrészeket használjon.
- + Ez az ülőrész 6 hónapnál idősebb, de 22 kg/48.5 lbs-nál könnyebb gyermekekhez használható.

⚠ FIGYELMEZTETÉSEK A HORDOZHATÓ MŐZESKOSÁRRA VONATKOZÓ

- + A Joolz Day³ mőzeskosár olyan gyermeknek megfelelő, aki még nem tud egyedül felülni, nem tud megfordulni és nem tud négykézlábra állni. A gyermek maximális testsúlya: 9 kg.
- + Ez a termék csak olyan gyermek esetén használható, aki még nem tud egyedül felülni.
- + Kizárólag szilárd, vízszintes és száraz felületen használja.
- + Ne hagyja, hogy más gyermekek felügyelet nélkül játszanak a hordozható mőzeskosár közelében.
- + Ne használja a hordozható mőzeskosarat, ha valamelyik része eltört, elszakadt vagy hiányzik.
- + A Joolz Day³ terméket tartsa távol nyílt lángtól és más hőforrástól, például elektromos fűtőtestektől, gázüzemű fűtőeszközöktől stb.
- + A hordozható mőzeskosár karját és alját rendszeresen ellenőrizze, hogy nem sérült vagy kopott-e.
- + Használat előtt mindig győződjön meg róla, hogy a kiesés-gátló kar megfelelően van rögzítve a mőzeskosárhoz/ülőrész-egységhez.
- + A hordozható mőzeskosárban a gyermek fejének mindig feljebb kell lennie, mint a testének.
- + Ne tegyen további matracokat a Joolz matracra.

KARBANTARTÁSRA / MOSÁSRA VONATKOZÓ UTASÍTÁSOK

A huzatot langyos, szappanos vízzel tisztítsa. Friss vízzel öblítse át, és hagyja megszáradni. Soha ne használjon öblítőt vagy egyéb vegyszereket. Rendszeresen (nagyjából havonta egyszer) a kerekeket és a fém alkatrészeket kezelje teflon- vagy szilikon spray-vel, így biztosítva a babakocsi egyenletes gördülését.



A Day³ babakocsi alumínium alkatrészei galvanizáltak, ami megvédi a külső hatásoktól, például a rozsdától. A galvanizált alumínium alkatrészek érzékenyek a savas tisztítószerre vagy kenőzsírokra. Ezek foltot hagyhatnak vagy az alumínium alkatrészek elszíneződését okozhatják. Ezért azt ajánljuk, hogy a babakocsi alumínium alkatrészeit langyos vízzel és puha törülközővel tisztítsa.

GARANCIA

A Joolz élethosszig tartó garanciát biztosít a Joolz Day³ termékre. A garancia az anyaghibákra és gyártási hibákra terjed ki, de nem tartalmazza a termék cseréjét vagy visszaküldését. Az élethosszig tartó garancia érvényesítéséhez nem kell más tennie, mint a vásárlástól számított hat hónapon belül regisztrálnia Joolz típusú babakocsiját a register.joolz.com weboldalon és megtartani a vásárláskor kapott eredeti bizonylatot, amelyen a dátum is szerepel. Amennyiben a vásárlást követő hat hónapon belül nem regisztrálja Joolz babakocsiját, akkor Ön kétéves garanciára lesz jogosult.

A garancia akkor érvényes, ha a hibás termékkel együtt az alábbi tételeket is átadja a kereskedőnek:

- 1) A garancialevelet,
- 2) A személyazonosságot igazoló bármilyen okmányt,
- 3) A vásárlást igazoló nyugta másolatát (amely tartalmazza a vásárlás dátumát),
- 4) A hiba részletes leírását.

A garancialevet azután kapja meg, miután regisztrálta a register.joolz.com weboldalunkon a megvásárolt Joolz babakocsit.

Ha a kereskedő nem tudja megoldani a panaszát, vegye fel a kapcsolatot a Joolz vállalattal. Kérjük, vegye figyelembe, hogy a javítások nem hosszabbítják meg a garanciális időszakot.

A GARANCIA NEM FEDEZI A KÖVETKEZŐKET:

- 1) Az általános elhasználódás során keletkező hibákat, például a kerekek mindennapos használat miatti kopását, az alumínium és/vagy fém részek karcolódását és az anyagok természetes vagy a kézikönyvnek nem megfelelő használat okozta elszíneződését.
- 2) A kerekeken keletkezett lyukakat és az elhasználódás nyomait.
- 3) Baleset miatti, helytelen használatból, hanyagságból bekövetkezett, tűz, folyadék vagy egyéb külső tényező okozta kárt.
- 4) A kézikönyvnek, a használatot bemutató videónak vagy az egyéb Joolz útmutatásnak való meg nem felelésből keletkező kárt.
- 5) Más termék okozta kárt, ide értve a tartozékokat is.
- 6) A Joolz nem hivatalos képviselője által végzett szervizből vagy javításból származó kárt.
- 7) Lopást.
- 8) Légi vagy egyéb szállításból származó kárt.

A biztonság kiemelt szempont volt a Joolz Day³ babakocsi és kosár tervezésekor. Ezért a termékeink megfelelnek az alábbiakban felsorolt szabványoknak:

Európa: EN 1888:2012 / EN 1466:2014/AC: 2015
Egyesült Államok: ASTM F833-15 / ASTM F2050-16
Kanada: SOR/2016-167
Ausztrália: AS/NZS 2088:2013

Ha kérdése merülne fel, vagy szeretne visszajelzést küldeni nekünk, akkor látogasson el a joolz.com oldalra, a [facebook.com/myjoolz](https://www.facebook.com/myjoolz) oldalra, vagy vegye fel a kapcsolatot a forgalmazójával.

DÔLEŽITÉ: STAROSTLIVO SI PROSÍM PREČÍTAJTE PRED POUŽITÍM TIETO POKYNY A USCHOVAJTE ICH PRE BUDÚCE POUŽITIE.

VAROVANIE

- + Nikdy nenechávajte dieťa bez dozoru.
- + Uistite sa, že sú všetky mechanické zariadenia pred použitím zapojené.
- + Aby nedošlo k zraneniu sa uistite, že vaše dieťa je pri nastavovaní, rozkladaní a skladaní tohto výrobku v bezpečí.
- + Nedovoľte, aby sa vaše dieťa hralo sa s týmto výrobkom.
- + Táto sedačka nie je vhodná pre deti mladšie ako 6 mesiacov.
- + Vždy používajte zadržiavací systém.
- + Skontrolujte pred použitím, či je zariadenie na upevnenie vaničky, sedadla alebo auto sedačky správne zapojené.
- + Tento výrobok nie je vhodný pre beh alebo korčuľovanie.
- + Joolz Day³ vaničky a sedadlá sú kompatibilné iba s Joolz Day³ podvozkom a naopak.
- + Nepoužívajte ďalšiu matrac.
- + Akékoľvek bremeno pripojené k stranám a/alebo riadiadlu kočíka Joolz Day³ môže ovplyvniť stabilitu.
- + Joolz Day³ vaničky a sedadlá unesú vždy len jedného pasažiera.

VAROVANIE TÝKAJÚCE SA KORBY

- + Vanička Joolz Day³ je vhodná pre dieťa, ktoré nemôže sedieť samo, nemôže sa prevrátiť, vytlačiť sa hore, dvíhať sa na ruky a kolena. Minimálna hmotnosť dieťaťa: 9 kg.
- + Tento výrobok je vhodný iba pre dieťa, ktoré nemôže sedieť bez pomoci.
- + Používajte len na pevnom, vodorovnom rovnom a suchom povrchu.
- + Nenechajte ostatné deti hrať sa bez dozoru v blízkosti korby.
- + Nepoužívajte kočík, ak je niektorá časť korby zlomená, zatrhnutá alebo chýba.

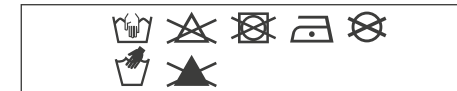
- + Používajte iba sedačky, auto sedačky, náhradné diely a príslušenstvo, ktoré sú schválené firmou Joolz.
- + U auto sedačiek v spojení s podvozkom Joolz Day³ toto vozidlo nenahrádza vaničku ani posteľ. Ak vaše dieťa potrebuje spať, potom by malo byť umiestnené do vhodnej Joolz Day³ vaničky alebo detskej postieľky s vhodným podvozkom.
- + Nepoužívajte kočík, ak sú niektoré z dielov poškodené, natrhnuté alebo chýbajú.
- + Vždy použite otočný zámok na predné kolesá pri skladaní kočíka. Ak tak neurobíte, môže dôjsť k obštrukcii pneumatík, čo vedie k deformácii, a to najmä v horúcom prostredí.
- + Brzdy by mali byť pri vkladaní a vyberaní detí zatiahnuté.
- + Príslušenstvo neposkytované firmou Joolz by sa nemalo používať.
- + Mali by byť použité iba náhradné diely dodávané alebo doporučené firmou Joolz.
- + Táto sedačka je určená pre deti od 6 mesiacov, až do maximálnej hmotnosti 22 kg/48.5 lbs.

- + Udržujte Joolz Day³ v dostatočnej vzdialenosti od otvoreného ohňa či iných zdrojov tepla, ako sú elektrické ohrievače, plynové ohrievače, atď.
- + Rukoväte a spodná časť korby by mali byť pravidelne prekontrolované na známky poškodenia a opotrebovania.
- + Vždy pred použitím skontrolujte, či je nárazník správne zapojený k vaničke/sedačke.
- + Hlava dieťaťa by na korbe nikdy nemala byť nižšia ako telo dieťaťa.
- + Nedávajte ďalšiu matrac na matrace dodané firmou Joolz.

NÁVOD NA ÚDRŽBU/UMÝVANIE

Vyčistite tkaninu s vlažnou vodou a mydlom.

Opláchnite vlažnou vodou a nechajte uschnúť. Nikdy nepoužívajte bieliná alebo iné chemické čistiace prostriedky. Pravidelne (približne raz za mesiac) namažte kolesá a kovové diely s teflonovým alebo silikónovým sprejom s cieľom zabezpečiť aby kočík hladko fungoval.



Hliníkové časti vášho kočíka Day³ sú eloxované, aby bol chránený pred vonkajšími vplyvmi, ako je korózia. Časti z eloxovaného hliníka sú citlivé na kyslé prostredie alebo masť, ktoré môžu spôsobiť škvrny a zafarbenie hliníkových dielov. Preto vám odporúčame očistiť hliníkové časti vášho kočíka s teplou vodou a mäkkou handričkou.

ZÁRUKA

Joolz ponúka celoživotnú záruku na Joolz Day³. Záruka sa vzťahuje na všetky materiálové vady a výrobné chyby, nie však na výmenu alebo vrátenie výrobku. Na získanie nároku na záruku na celé obdobie životnosti stačí, ak svoj kočík Joolz zaregistrujete do šiestich mesiacov od jeho zakúpenia na webovej stránke register.joolz.com. Originálny doklad o kúpe obsahujúci dátum nákupu si uschovajte. Pokiaľ svoj kočík Joolz nezaregistrujete do šiestich mesiacov od jeho zakúpenia, získate dvojročnú záruku.

Záruka je platná iba vtedy, ak dodáte svojmu predajcovi spolu s chybným výrobkom nasledujúce položky:

- 1) Váše osvedčenie o záruke,
- 2) Akýkoľvek doklad totožnosti,
- 3) Kópiu dokladu o kúpe (ktorý obsahuje dátum nákupu),
- 4) Podrobný opis vady.

Osvedčenie o záruke dostanete po zaregistrovaní svojho kočíka Joolz na našej webovej stránke register.joolz.com.

Ak vám váš predajca nemôže pomôcť s vašou reklamáciou, obráťte sa na firmu Joolz. Upozorňujeme vás, že opravy nepredlžujú záručnú dobu.

ZÁRUKA SA NEVZŤAHUJE NA:

- 1) Chyby spôsobené bežným opotrebením, ako sú opotrebované kolesá a tkaniny v dôsledku každodenného používania, škrabance na hliníku a/alebo kove a prirodzená zmena farby materiálu, ku ktorej časom dochádza, prípadne chyby spôsobené nedodrzaním pokynov na údržbu.
- 2) Poškodenie kolies, ako sú diery a trhliny.
- 3) Poškodenie spôsobené nehodou, nesprávnym použitím, nedbalosťou, požiarom, stykom s kvapalinami alebo iným vonkajším vplyvom.
- 4) Poškodenie, ku ktorému dôjde v dôsledku nedodržania pokynov uvedených v návode na použitie, inštruktážnych filmoch alebo iných usmerneniach spoločnosti joolz.
- 5) Poškodenie spôsobené iným výrobkom vrátane príslušenstva.
- 6) Poškodenie spôsobené servisom alebo opravou vykonanými neoficiálnym zástupcom spoločnosti joolz.
- 7) Odcudzenie.
- 8) Poškodenie spôsobené počas leteckej prepravy alebo nákladnej prepravy.

Bezpečnosť bola pri celom vývoji kočíka a vanička Joolz Day³ dôležitým hľadiskom. Naše výrobky preto spĺňajú tieto bezpečnostné normy:

Európa: EN 1888:2012 / EN 1466:2014/AC: 2015
 Spojené štáty americké: ASTM F833-15 / ASTM F2050-16
 Kanada: SOR/2016-167
 Austrália: AS/NZS 2088:2013

Navštívte joolz.com, facebook.com/myjoolz alebo sa obráťte na svojho predajcu pre prípadné otázky a / alebo pripomienky.

ΣΗΜΑΝΤΙΚΟ: ΔΙΑΒΑΣΤΕ ΑΥΤΕΣ ΤΙΣ ΟΔΗΓΙΕΣ ΠΡΟΣΕΚΤΙΚΑ ΠΡΙΝ ΑΠΟ ΤΗ ΧΡΗΣΗ ΚΑΙ ΦΥΛΑΞΤΕ ΤΙΣ ΓΙΑ ΜΕΛΛΟΝΤΙΚΗ ΑΝΑΦΟΡΑ.

⚠️ ΠΡΟΕΙΔΟΠΟΙΗΣΗ

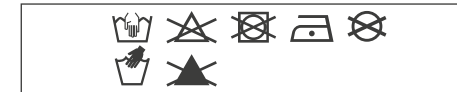
- + Μην αφήνετε ποτέ το παιδί σας χωρίς επιτήρηση.
- + Βεβαιωθείτε ότι έχουν ενεργοποιηθεί όλες οι διατάξεις ασφάλισης πριν από τη χρήση.
- + Για την αποφυγή τραυματισμού, βεβαιωθείτε ότι το παιδί σας δεν βρίσκεται κοντά όταν ανοίγετε ή κλείνετε το προϊόν.
- + Μην αφήνετε το παιδί σας να παίζει με το προϊόν αυτό.
- + Το κάθισμα δεν είναι κατάλληλο για παιδιά κάτω των 6 μηνών.
- + Χρησιμοποιείτε πάντα το σύστημα πρόσδεσης.
- + Ελέγχετε ότι οι διατάξεις σύνδεσης του λίκνου, του καθίσματος ή του καθίσματος αυτοκινήτου έχουν ασφαλίσει σωστά πριν από τη χρήση.
- + Μη χρησιμοποιείτε το προϊόν αυτό όταν κάνετε τζόκινγκ ή όταν φοράτε πατίνια.
- + Οι διατάξεις του λίκνου και του καθίσματος Joolz Day³ είναι συμβατές μόνο με το σκελετό Joolz Day³ και αντίστροφα.
- + Μη χρησιμοποιείτε επιπλέον στρώμα.
- + Τυχόν βάρος που θα προσδεθεί στις πλευρές ή/και τη λαβή του καροτσιού Joolz Day³ ενδέχεται να επηρεάσει τη σταθερότητά του.
- + Οι διατάξεις του λίκνου και του καθίσματος Joolz Day³ μπορούν να μεταφέρουν ένα παιδί η κάθε μία.
- + Χρησιμοποιείτε μόνο καθίσματα σώματος, καθίσματα αυτοκινήτου, εξαρτήματα αντικατάστασης και αξεσουάρ που είναι εγκεκριμένα από την Joolz.
- + Για καθίσματα αυτοκινήτου σε συνδυασμό με το σκελετό Joolz Day³, αυτό το σύστημα μεταφοράς δεν αντικαθιστά λίκνο ή κρεβάτι. Αν το παιδί σας πρέπει να κοιμηθεί, πρέπει να τοποθετηθεί στο καρότσι, λίκνο ή κρεβάτι Joolz Day³.
- + Μη χρησιμοποιείτε το καρότσι αν οποιοδήποτε τμήμα του είναι φθαρμένο, σχισμένο ή λείπει.
- + Εφαρμόζετε πάντα την ασφάλεια περιστροφής στους μπροστινούς τροχούς όταν διπλώνετε το καρότσι. Σε αντίθετη περίπτωση ενδέχεται να προκληθεί εμπλοκή στα ελαστικά, με αποτέλεσμα παραμόρφωση, ειδικά σε ζεστό περιβάλλον.
- + Τα φρένα πρέπει να είναι πάντοτε ασφαλισμένα κατά την τοποθέτηση και την απομάκρυνση του παιδιού.
- + Δεν πρέπει να χρησιμοποιούνται αξεσουάρ που δεν παρέχονται από την Joolz.
- + Πρέπει να χρησιμοποιούνται μόνο ανταλλακτικά που παρέχονται ή συνιστώνται από την Joolz.
- + Το κάθισμα αυτό προορίζεται για παιδιά από 6 μηνών έως το πολύ 22 kg/48.5 lbs.

⚠️ ΠΡΟΕΙΔΟΠΟΙΗΣΕΙΣ ΓΙΑ ΤΟ ΛΙΚΝΟ ΜΕΤΑΦΟΡΑΣ

- + Το λίκνο Joolz Day³ είναι κατάλληλο για παιδιά που δεν μπορούν να καθίσουν χωρίς βοήθεια, να γυρίσουν ανάποδα και να στηριχθούν στα χέρια και τα πόδια τους. Μέγιστο βάρος παιδιού: 9 kg.
- + Το προϊόν είναι κατάλληλο μόνο για παιδιά που δεν μπορούν να καθίσουν χωρίς βοήθεια.
- + Χρησιμοποιείτε μόνο σε σταθερή, οριζόντια και στεγνή επιφάνεια.
- + Μην αφήνετε άλλα παιδιά να παίζουν χωρίς επιτήρηση κοντά στο λίκνο μεταφοράς.
- + Μη χρησιμοποιείτε το λίκνο μεταφοράς σε περίπτωση που έχει σπάσει, σχιστεί ή λείπει κάποιο τμήμα του.
- + Κρατήστε το Joolz Day³ μακριά από ανοιχτές φλόγες και άλλες πηγές θερμότητας, όπως ηλεκτρικές θερμάστρες, τζάκια αερίου κ.λπ.
- + Οι λαβές και το κάτω μέρος του λίκνου μεταφοράς πρέπει να ελέγχονται τακτικά για ενδείξεις ζημιών και φθοράς.
- + Να βεβαιώνετε πάντα ότι η προστατευτική μπάρα είναι σωστά ασφαλισμένη στη διάταξη λίκνου/καθίσματος πριν από τη χρήση.
- + Το κεφάλι του παιδιού στο λίκνο μεταφοράς δεν πρέπει ποτέ να βρίσκεται πιο χαμηλά από το σώμα του.
- + Μην τοποθετείτε επιπλέον στρώμα πάνω στο στρώμα που παρέχεται από την Joolz.

ΣΥΝΤΗΡΗΣΗ / ΟΔΗΓΙΕΣ ΠΛΥΣΙΜΑΤΟΣ

Καθαρίστε το ύφασμα με χλιαρό νερό και σαπούνι. Ξεπλύνετε με καθαρό νερό και αφήστε το να στεγνώσει. Μη χρησιμοποιείτε ποτέ χλωρίνη ή άλλα χημικά απορρυπαντικά. Ανά τακτά χρονικά διαστήματα (περίπου μία φορά το μήνα) να χρησιμοποιείτε Teflon ή σπρέι σιλικόνης στους τροχούς και τα μεταλλικά μέρη, για να διασφαλίσετε την ομαλή κίνηση του καροτσιού.



Τα μέρη του καροτσιού Day³ από αλουμίνιο είναι ανοδιωμένα για να προστατευτούν από εξωτερικές επιδράσεις όπως η διάβρωση. Τα μέρη από ανοδιωμένο αλουμίνιο είναι ευάλωτα σε όξινα καθαριστικά ή γράσο, τα οποία μπορεί να προκαλέσουν λεκέδες και αποχρωματισμούς στο αλουμίνιο. Συνεπώς, συνιστάται να καθαρίζετε τα μέρη του καροτσιού από αλουμίνιο με ζεστό νερό και ένα μαλακό πανί.

ΕΓΓΥΗΣΗ

Η Joolz προσφέρει διά παντός εγγύηση για το Joolz Day³. Η εγγύηση καλύπτει όλα τα ελαττώματα υλικού και κατασκευής, αλλά όχι την ανταλλαγή ή επιστροφή του προϊόντος. Για να δικαιούστε την εγγύηση διά παντός, το μόνο που πρέπει να κάνετε είναι να καταχωρίσετε το καρότσι σας Joolz στη διεύθυνση register.joolz.com μέσα σε έξι μήνες από την αγορά και να κρατήσετε την αρχική απόδειξη αγοράς που περιλαμβάνει και την ημερομηνία αγοράς. Σε περίπτωση που δεν καταχωρίσετε το καρότσι σας Joolz εντός έξι μηνών από την αγορά, θα λάβετε εγγύηση δύο ετών.

Η εγγύηση ισχύει μόνο αν προσκομίσετε στο μεταπωλητή σας το ελαττωματικό προϊόν μαζί με τα παρακάτω:

- 1) πιστοποιητικό εγγύησης,
- 2) οποιοδήποτε έγγραφο που να πιστοποιεί την ταυτότητά σας,
- 3) αντίγραφο της απόδειξης αγοράς (συμπεριλαμβανομένης της ημερομηνίας αγοράς),
- 4) λεπτομερή περιγραφή του ελαττώματος.

Θα παραλάβετε το πιστοποιητικό εγγύησης μετά την καταχώριση του καροτσιού σας Joolz στον ιστότοπό μας, register.joolz.com.

Αν ο μεταπωλητής δεν μπορεί να βοηθήσει με το πρόβλημά σας, επικοινωνήστε με την Joolz. Έχετε υπόψη ότι οποιαδήποτε επισκευή δεν παρατείνει την περίοδο εγγύησης.

Η ΕΓΓΥΗΣΗ ΔΕΝ ΚΑΛΥΠΤΕΙ:

- 1) Ελαττώματα που έχουν προκληθεί από φυσιολογικές ζημιές και φθορές, όπως φθαρμένοι τροχοί και υφάσματα λόγω καθημερινής χρήσης, γρατζουνιές στα μέρη από αλουμίνιο ή/και μέταλλο και φυσικό αποχρωματισμό των υλικών με την πάροδο του χρόνου ή ελαττώματα που προκλήθηκαν επειδή δεν τηρήθηκαν οι οδηγίες συντήρησης.
- 2) Ζημιές στους τροχούς, όπως τρύπες και σχισίματα.
- 3) Ζημιές που έχουν προκληθεί από ατυχήματα, ακατάλληλη χρήση, αμέλεια, πυρκαγιά, επαφή με υγρά ή άλλες εξωτερικές αιτίες.
- 4) Ζημιές που οφείλονται σε μη συμμόρφωση με το εγχειρίδιο οδηγιών, τις ταινίες οδηγιών ή άλλες οδηγίες από την Joolz.
- 5) Ζημιές που έχουν προκληθεί από άλλα προϊόντα, συμπεριλαμβανομένων των αξεσουάρ.
- 6) Ζημιές από σέρβις ή επισκευή από μη επίσημο αντιπρόσωπο της Joolz.
- 7) Κλοπή.
- 8) Ζημιές κατά την αερομεταφορά ή την αποστολή.

Η ασφάλεια ήταν σημαντικός παράγοντας σε ολόκληρο το σχεδιασμό του καροτσιού και του λίκνου Joolz Day³. Τα προϊόντα μας επομένως πληρούν τα παρακάτω πρότυπα ασφαλείας:

Ευρώπη: EN 1888:2012 / EN 1466:2014/AC: 2015
 Ηνωμένες Πολιτείες: ASTM F833-15 / ASTM F2050-16
 Καναδάς: SOR/2016-167
 Αυστραλία: AS/NZS 2088:2013

Επισκεφτείτε τις διευθύνσεις joolz.com, [facebook.com/joolz](https://www.facebook.com/joolz) ή επικοινωνήστε με το μεταπωλητή σας για τυχόν ερωτήσεις ή/και σχόλια.

هام: يرجى قراءة هذه التعليمات جيداً قبل استعمال المهد والاحتفاظ بها للرجوع إليها مستقبلاً.

تحذير

- + لا تتركوا طفلكم وحيداً من دون مراقبة أبداً.
- + تأكدوا من ربط جميع أجهزة الغلق قبل استعمال المهد.
- + لتفادي الإصابات تأكدوا من إبعاد طفلكم عند تعديل وبسط وطيّ هذا المنتج.
- + لا تدعوا طفلكم يلعب بهذا المنتج.
- + وحدة المقعد هذه ليست مناسبة للأطفال أقل من 1 أشهر.
- + تفادوا الإصابة البالغة جراء السقوط أو التزلق من المهد وذلك باستخدام نظام الكبح.
- + قوموا بتفحص وصلات المهد أو المقعد أو وحدة مقعد السيارة والتأكد من أنها مربوطة بشكل جيد قبل الاستعمال.
- + هذا المنتج غير مناسب للركض أو التزلق.
- + وحدات المهد والمقعد من Joolz Day³ تلائم فقط هياكل Joolz Day³ والعكس بالعكس.
- + لا تستعملوا مرتبة إضافية.
- + قد يؤثر أي حمل معلق على جوانب و/أو مقبض كرسي الدفع من Joolz Day³ على توازن الكرسي.
- + لا يمكن حمل أكثر من طفل واحد في كل من المهد أو وحدة مقاعد Joolz Day³.
- + ينبغي استخدام المقاعد ومقاعد السيارة وقطع الغيار

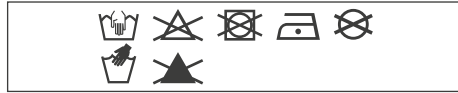
تحذير

فيما يخص المهد المحمول

- + مهد Joolz Day³ مناسب للطفل غير القادر على الجلوس من دون مساعدة والتدريج والدفع بنفسه إلى الأعلى على يديه وركبتيه. الوزن الأقصى للطفل: 10 كغ.
- هذا المنتج مناسب فقط للطفل غير القادر على الجلوس من دون مساعدة.
- + للاستعمال فقط على سطح صلب مستوٍ وجاف.
- + ينبغي عدم السماح للأطفال باللعب بالقرب من المهد من دون مراقبة.
- + ينبغي عدم استخدام المهد إذا كان أي جزء من أجزائه مكسوراً أو مقطوعاً أو مفقوداً.

تعليمات الصيانة/التنظيف

ينظف القماش بالماء الفاتر والصابون. يشطف بماء نقي ويترك ليجف. لا تستعملوا مطلقاً الكلور المبيض أو مواد تنظيف كيميائية أخرى. تعالج العجلات والأجزاء المعدنية من حين لآخر (مرة في الشهر تقريباً) بسبراي التفلون أو السيلكون لضمان عمل كرسي الدفع بسلاسة.



تم طلاء أجزاء الألمنيوم لكرسي الدفع من Day³ بأكسيد الألمنيوم لحمايتها من التأثيرات الخارجية مثل التآكل والأكسدة. تتأثر أجزاء الألمنيوم المطلية بأكسيد الألمنيوم بمواد التنظيف أو التشحيم الحمضية التي قد تسبب في ظهور بقع وتغير في لون أجزاء الألمنيوم. لذلك ننصحكم بتنظيف أجزاء الألمنيوم لكرسي الدفع الخاص بكم بماء دافئ وقطعة قماش ناعمة.

الضمان

توفر Joolz ضماناً على مدى الحياة لمنتج Joolz Day³. يشمل الضمان جميع المواد وعيوب التصنيع، لكنه لا يشمل استبدال أو إرجاع المنتج. للحصول على الضمان على مدى الحياة ما عليكم إلا تسجيل كرسي الدفع Joolz الخاص بكم على register.joolz.com خلال ستة أشهر من شرائكم للمنتج والاحتفاظ بوصل الشراء الأصلي، بما في ذلك تاريخ الشراء. إذا لم تسجلوا كرسي الدفع Joolz الخاص بكم خلال ستة أشهر من شرائكم للمنتج، فسوف تحصلون على ضمان سنتين.

الضمان صالح فقط إذا أرسلتم المنتج المعيب لبائعكم مصحوباً بالوثائق التالية.

- (1) شهادة الضمان الخاصة بكم،
 - (2) أي نوع من بطاقات التعريف الشخصية،
 - (3) صورة لوصف الشراء الأصلي (بما في ذلك تاريخ الشراء)،
 - (4) وصف مفصل ودقيق للعيوب.
- سوف تتوصلون بشهادة الضمان بعد تسجيلكم لكرسي الدفع Joolz الخاص بكم على موقعنا register.joolz.com.

إذا لم يتمكن بائعكم من مساعدتكم لحل شكايته، يرجى الاتصال بشركة Joolz. يرجى الملاحظة بأن الإصلاحات لا تمدد فترة الضمان.

لا يشمل الضمان ما يلي:

- (1) العيوب الناتجة عن الإهتراء العادي، مثل العجلات والقماش المهترئ نتيجة الاستعمال اليومي، والخدوش على أجزاء الألمنيوم و/أو الأجزاء المعدنية، والتغير الطبيعي للون المواد مع الزمن، أو بسبب عدم اتباع تعليمات الصيانة.
- (2) الأضرار التي تطال العجلات من قبيل الثقوب والتمزقات.
- (3) الأضرار الناجمة عن الحوادث أو الاستعمال غير الصحيح أو الإهمال أو الحريق أو السوائل أو أسباب خارجية أخرى.
- (3) الأضرار الناجمة عن عدم اتباع دليل التعليمات أو أشرطة التعليمات أو الخطوط الإرشادية الأخرى لـ Joolz.
- (4) الأضرار التي يسببها منتج آخر، بما فيه الإكسسوارات.
- (5) الأضرار الناجمة عن الخدمات أو الإصلاحات التي يقوم بها ممثل غير رسمي لـ Joolz.
- (6) السرقة.
- (7) الأضرار الناجمة عن النقل الجوي أو الشحن.

لقد تم إيلاء العناية الكاملة لمسألة السلامة في كل مراحل تطوير مهد وكرسي الدفع من Joolz Day³. لذلك فمنتجاتنا تستوفي معايير السلامة التالية:

أوروبا: 2015 / EN 1466:2014/AC: EN 1888:2012
الولايات المتحدة: ASTM F2050-16 / ASTM F833-15
كندا: SOR/2016-167
أستراليا: AS/NZS 2088:2013

يرجى زيارة joolz.com أو [facebook.com/myjoolz](https://www.facebook.com/myjoolz) أو الاتصال ببائعكم بخصوص أي أسئلة و/أو ملاحظات.

BELANGRIK: LEES ASSEMBLIEF HIERDIE INSTRUKSIES NOUKEURIG VÓÓR GEBRUIK EN HOU DIT OM IN DIE TOEKOMS TE RAADPLEEG.

⚠ WAARSKUWINGS

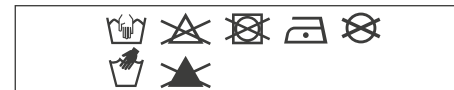
- + Moet nooit jou kind sonder toesig laat nie.
- + Maak seker dat al die sluittoestelle gekoppel is vóór gebruik.
- + Om besering te vermy, maak seker dat jou kind weggehou word wanneer jy dié produk oop- en toevou of verstel.
- + Moenie jou kind toelaat om met hierdie produk te speel nie.
- + Hierdie sitplekkeenheid is nie geskik vir kinders onder 6 maande nie.
- + Gebruik altyd die weerhoudingstelsel.
- + Maak seker dat die aanhegtoestelle vir die bababedjie-, sitplek- of karstoeltjie-eenhede korrek aangesluit is vóór gebruik.
- + Dié produk is nie geskik vir hardloop of skaats nie.
- + Die Joolz Day³-bababedjie en sitplekkeenheid is slegs verenigbaar met die Joolz Day³-onderstel en omgekeerd.
- + Moenie 'n ekstra matras gebruik nie.
- + Enige lading wat aan die kante of stuur van die Joolz Day³-stootwaentjie gehang word, kan die stabiliteit daarvan affekteer.
- + Die Joolz Day³-bababedjie of sitplekkeenheid kan elk net een passasier dra.
- + Gebruik net liggaamsplekke, karstoeltjies, vervangingsonderdele en bybehore wat deur Joolz goedgekeur is.
- + Vir karstoeltjies in kombinasie met die Joolz Day³-onderstel; dié voertuig vervang nie 'n bababedjie of 'n bed nie. As dit nodig word vir jou kind om te slaap moet hy/sy in die Joolz Day³-stootwaentjie-onderstel-, bababedjie of 'n bed neergelê word.
- + Moenie die stootwaentjie gebruik as enige van die onderdele beskadig, geskeur of weg is nie.
- + Gebruik altyd die rotasieslot op die voorwiele wanneer die stootwaentjie toegevoeg word. Versuim om dit te doen kan lei tot obstruksie van die bande, wat vervorming kan veroorsaak, veral in 'n warm omgewing.
- + Koppel altyd die remme wanneer kinders in die waentjie geplaas, of daaruit gehaal word.
- + Moenie bybehore wat nie deur Joolz beskikbaar gestel word nie, gebruik nie.
- + Gebruik slegs onderdele wat deur Joolz verskaf of aanbeveel word.
- + Dié sitplek is bedoel vir kinders van 6 maande tot 'n maksimum gewig van 22 kg/48.5 lbs.

⚠ WAARSKUWINGS VIR DIE DRABEDJIE

- + Die Joolz Day³-bababedjie is geskik vir 'n kind wat nie alleen kan regopsit, omrol of hom-/haarsel op sy/haar hande en knie kan opdruk nie. Maksimum gewig van die kind: 9 kg.
- + Dié produk is slegs geskik vir 'n kind wat nie sonder ondersteuning kan regopsit nie.
- + Gebruik slegs op 'n ferm, horisontaal-gelyk en droë oppervlak.
- + Moenie toelaat dat ander kinders sonder toesig naby die drabedjie speel nie.
- + Moenie die drabedjie gebruik as enige deel daarvan gebreek, geskeur of weg is nie.
- + Hou die Joolz Day³ weg van oop vure of ander hittebronne, soos elektriese staafverwarmers, gasvure, ens.
- + Die stuur en die onderkant van die drabedjie moet gereeld nagegaan word vir tekens van skade of verweer.
- + Maak vóór gebruik altyd seker dat die bufferstaaf korrek gekoppel is aan die bababedjie/sitplekkeenheid.
- + Die kind in die drabedjie se kop moet nooit laer as sy/haar liggaam wees nie.
- + Moenie 'n ekstra matras bo-op die matras wat deur Joolz verskaf is, plaas nie.

ONDERHOUD / WASINSTRUKSIES

Maak die materiaal met loutewarm water en seep skoon. Spoel dit met vars water en laat dit droog word. Moet nooit bleikmiddels of ander chemiese reinigers gebruik nie. Behandel die wiele en metaaldele periodiek (ongeveer een keer per maand) met Teflon- of silikonsproei om seker te maak dat die stootwaentjie aanhou om glad te loop.



Die aluminiumdele van jou Day³-stootwaentjie is geanodiseer om dit te beskerm teen eksterne invloed soos korrosie. Geanodiseerde aluminium-onderdele kan beskadig word deur suurreinigers of vetterigheid, en dit kan vlekke of verkleuring van die aluminiumonderdele veroorsaak. Daarom raai ons jou aan om die aluminiumonderdele van jou stootwaentjie met warm water en 'n sagte doek skoon te maak.

WAARBORG

Joolz bied 'n lewenslange waarborg op die Joolz Day³. Die waarborg dek alle materiale en vervaardigingfoute, maar nie die omruil of teruggee van die produk nie. Om vir die lewenslange waarborg te kwalifiseer moet jy net binne ses maande ná aankoop jou Joolz-stootwaentjie op register.joolz.com registreer en jou oorspronklike aankoopbewys met die aankoopdatum bewaar. As jy nie jou Joolz-stootwaentjie binne ses maande ná aankope registreer nie, sal jy 'n twee-jaar-waarborg ontvang.

Die waarborg is slegs geldig as jy die volgende items saam met die defektiewe produk aan jou handelaar beskikbaar stel:

- 1) Jou waarborg-sertifikaat
- 2) Enige vorm van persoonlike identifikasie
- 3) 'N afskrif van die aankoopbewys (met die aankoopdatum)
- 4) 'N gedetailleerde beskrywing van die defek.

Jy sal die waarborgsertifikaat ontvang nadat jy jou Joolz-stootwaentjie op ons webblad (register.joolz.com) geregistreer het.

As die handelaar jou nie kan help met jou klagte nie, kontak asseblief vir Joolz. Let wel, enige herstelwerk verleng nie die waarborgperiode nie.

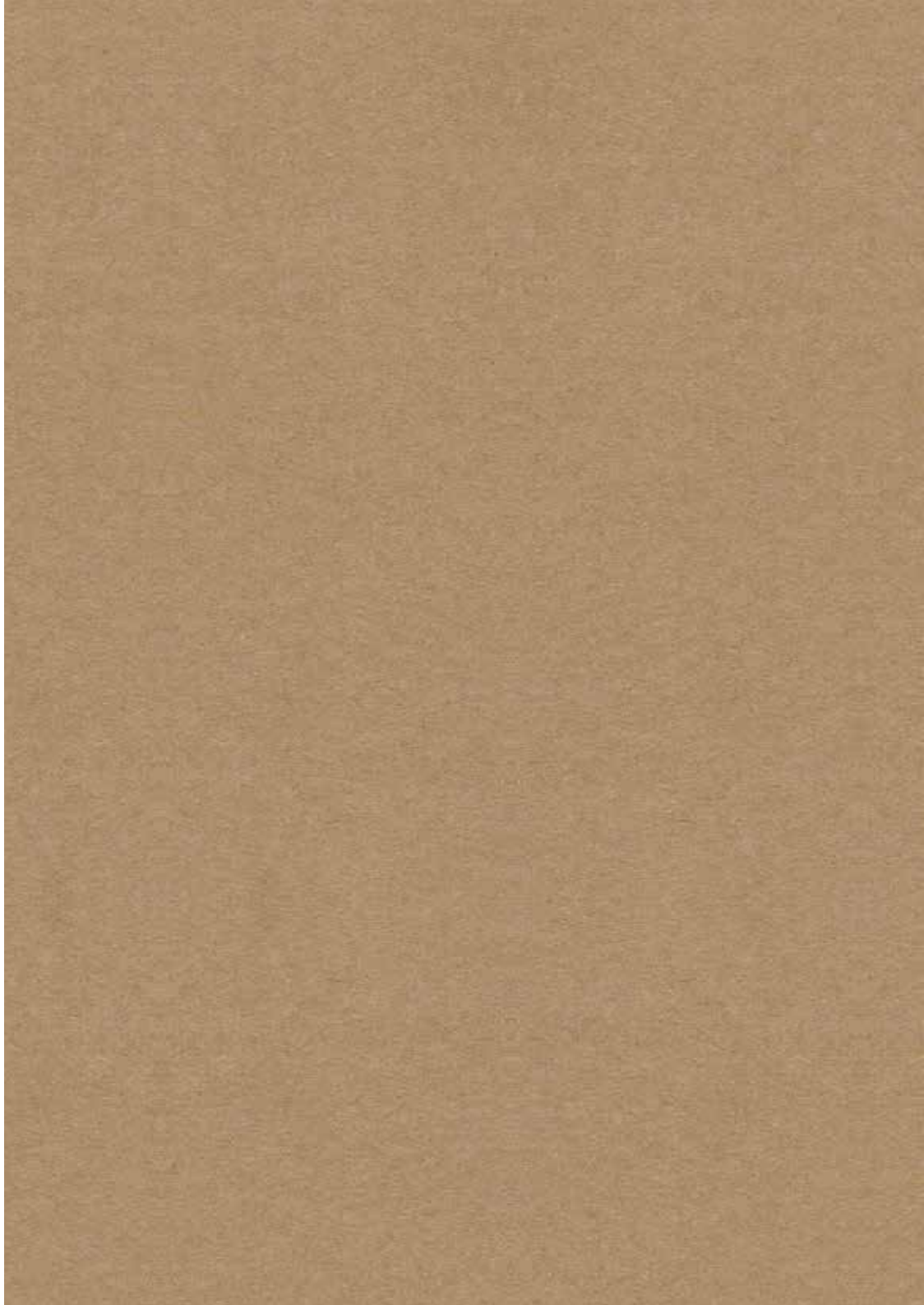
DIE WAARBORG DEK NIE:

- 1) Defekte wat deur normale slytasie, soos uitgewerkte wiele en tekstiel wat deur alledaagse gebruik verweer is, krappe op die aluminium en/of metaal en natuurlike verkleuring van materiale wat deur die verloop van tyd veroorsaak is, of skade wat ontstaan deur nie die instandhoudinginstruksies te volg nie.
- 2) Skade aan die wiele, soos gate en skeure.
- 3) Skade veroorsaak deur ongelukke, verkeerde gebruik, nalatigheid, brand, kontak met vloeistowwe of ander eksterne oorsake.
- 4) Skade veroorsaak deur nienakoming van die instruksiehandleiding, instruksiefilms of ander Joolz-riglyne.
- 5) Skade veroorsaak deur 'n ander produk, met inbegrip van bybehore.
- 6) Skade veroorsaak deur diens of herstelwerk gedoen deur iemand wat nie 'n amptelike verteenwoordiger van Joolz is nie.
- 7) Diefstal.
- 8) Lugvervoer of vragskade.

Veiligheid was 'n belangrike oorweging deur die hele ontwikkelingsproses van die Joolz Day³-stootwaentjie en bababedjie. Derhalwe voldoen ons produkte aan die hoogste veiligheidsstandaarde:

Europa: EN 1888:2012 / EN 1466:2014/AC: 2015
 Verenigde State: ASTM F833-15 / ASTM F2050-16
 Kanada: SOR/2016-167
 Australië: AS/NZS 2088:2013

Besoek asseblief joolz.com, [facebook.com/myjoolz](https://www.facebook.com/myjoolz) of kontak u handelaar vir enige vrae en/of kommentaar.



enjoy the ride!
#myjoolz



JOO LZ POSITIVE
DESIGN
stroll around the world of joolz.com